

DESIGN CODES:

- 2022 CALIFORNIA BUILDING CODE (2021 IBC w/ STATE AMENDMENTS)
- 2022 CALIFORNIA MECHANICAL CODE (2021 UMC w/ STATE AMENDMENTS)
- 2022 CALIFORNIA PLUMBING CODE (2021 UPC w/ STATE AMENDMENTS)
- 2022 CALIFORNIA ELECTRICAL CODE (2020 NEC w/ STATE AMENDMENTS)
- 2022 CALIFORNIA ENERGY CONSERVATION CODE (2021 IECC w/ AMENDMENTS)
NOTE: LIGHTING COMPLIANCE ONLY
- 2022 CALIFORNIA FIRE CODE (2021 IFC w/ AMENDMENTS)
- 2022 CALIFORNIA GREEN BLDG STANDARD CODE (2021 IGBSC w/ AMENDMENTS)

GENERAL SPECIFICATION NOTES:

- 1.) BUILDING NOT TO BE LOCATED IN A DESIGNATED FIRE ZONE.
- 2.) THIS BUILDING SHALL BE LOCATED MORE THAN 10 FEET AWAY FROM ANY PROPERTY LINE OR ANY INTERIOR LOT LINE BETWEEN IT AND ANY OTHER BUILDING.
- 3.) THIS BUILDING NOT TO BE LOCATED IN A FLOOD PRONE AREA.
- 4.) WHITLEY MFG. CO., INC. IS NOT RESPONSIBLE FOR THE LOCAL BUILDING CODE REQUIREMENTS OVER AND ABOVE THE ENCLOSED SPECIFICATIONS. THE SPECIFICATIONS ARE BASED ON THE DESIGN PARAMETERS OF THE CODES LISTED ABOVE.
- 6.) DUPLICATES OF THIS BUILDING CAN BE BUILT AS A MIRROR IMAGE.
- 7.) THIS BUILDING DOES NOT HAVE FIRE-RATED EXTERIOR WALLS.
- 8.) THIS BUILDING SHALL NOT BE LOCATED IN AREAS WITH SNOW, WIND, AND /OR SEISMIC LOADS IN EXCESS OF THOSE NOTED ABOVE IN BUILDING DESIGN LOADS.
- 9.) WHITLEY MFG. CO., INC. IS NOT RESPONSIBLE FOR DAMAGE TO PLUMBING OR BUILDING DUE TO FROZEN PIPES. IT IS THE OWNERS RESPONSIBILITY TO WINTERIZE THE BUILDING FOR FREEZING WEATHER OR END OF SEASON USE.



JOB NAME: COALINGA

BUILDING INFORMATION:

BUILDING USE GROUP ---- U (UTILITY)
 TYPE OF CONSTRUCTION ---- VB (WOOD FRAME - UNPROTECTED)
 SQUARE FOOTAGE ---- 416.5 SQ FT
 OCCUPANT LOAD OF BUILDING ---- 6, OR LESS

BUILDING DESIGN LOADS:

FLOOR LIVE LOAD UNIFORM ---- 50 PSF
 FLOOR LIVE LOAD CONCENTRATED ---- 2000 LBS
 FLOOR IMPACT LOAD ---- N/A LBS
 FLOOR DEAD LOAD ---- 86.14 PSF
 ROOF DESIGN LIVE LOAD ---- 30 PSF
 GROUND SNOW LOAD ---- 30 PSF
 ROOF DEAD LOAD ---- 10 PSF
 LOW ROOF SNOW LOAD ---- 21 PSF
 SNOW EXPOSURE FACTOR ---- 1.00
 SNOW LOAD IMPORTANCE FACTOR ---- 1.00
 THERMAL FACTOR ---- 1.0
 RAIN ON SNOW SURCHARGE LOAD ---- N/A
 BASIC WIND SPEED ---- 93 MPH Vult
 WIND IMPORTANCE FACTOR ---- 1.00
 WIND EXPOSURE ---- C
 DESIGN WIND PRESSURE ---- II
 BUILDING RISK CATEGORY ---- SEE WIND/SEISMIC CALC
 SEISMIC IMPORTANCE FACTOR ---- 1
 SPECTRAL RESPONSE COEFFICIENT _{SDS} ---- 1.425
 SPECTRAL RESPONSE COEFFICIENT _{SD1} ---- N/A
 SITE CLASS ---- D
 BASIC SEISMIC-FORCE-RESISTING SYSTEM ---- A9
 DESIGN BASE SHEAR ---- SEE WIND/SEISMIC CALC
 SEISMIC DESIGN CATEGORY ---- D

UNIT LABELS: THIRD PARTY LABEL
 DATA PLATES AND LABELS LOCATED INSIDE OF MECHANICAL ROOM BESIDE EXT. DOOR, UNLESS OTHERWISE SPECIFIED.
 MBI LABEL

SEALED DRAWINGS: P.E. FOR STATE OF CALIFORNIA

MODEL APPROVAL: P.E. FOR STATE OF CALIFORNIA

SHEET INDEX:

A0.0	COVER SHEET
A0.1	SPECIFICATIONS
A0.2	SPECIFICATIONS CONT.
A1.0	EXTERIOR ELEVATIONS
A1.1	EXTERIOR ELEVATIONS
A2.1	FLOOR PLAN
A3.1	REFLECTED CEILING PLAN
A5.1	ADA MOUNTING DETAILS
E2.1	ELECTRICAL PLAN
E4.1	ELECTRICAL SCHEDULES
M2.1	MECHANICAL PLAN
P2.1	SANITARY & VENTING SCHEMATIC
P2.2	SANITARY & VENTING PLAN
P2.3	SANITARY & VENTING ELEVATIONS
P3.1	WATER SUPPLY SCHEMATIC
P3.2	WATER SUPPLY SCHEMATIC
P3.3	WATER SUPPLY ELEVATIONS
S1.1	CROSS SECTION
S2.0	STEEL FABRICATION DETAILS
S2.1	STEEL FRAME PLAN
S2.2	CONCRETE BLOCKING PLAN
S2.3	CONCRETE SLOPING PLAN
S2.4	REBAR PLAN
S4.1	STEEL CMU CAP PLAN
S4.2	STEEL CMU CAP DETAILS
S5.1	ROOF FRAMING PLAN
S5.2	STEEL ROOF DETAILS

NOTE: WHITLEY WILL NOT BE RESPONSIBLE FOR DAMAGE STRUCTURAL OR COSMETIC TO OUR BUILDING BY THE CRANE OR RIGGING COMPANY. THIS DAMAGE COULD VOID YOUR WARRANTY.

NOTE: MANUFACTURER'S OBLIGATIONS ARE CONTAINED IN THE TERMS OF IT'S ONE YEAR MANUFACTURED BUILDING LIMITED WARRANTY.

NOTE: INSTALLATION AND COMPLETE WATERTIGHT WEATHER SEALING IS THE RESPONSIBILITY OF THE PURCHASER. SPECIAL CONSIDERATION SHOULD BE GIVEN TO LOCAL, COASTAL OR EXTREME WEATHER LOCATIONS.

WHITLEY MANUFACTURING INC.
 201 WEST FIRST STREET
 SOUTH WHITLEY, INDIANA 46787-0496
 260-723-5131

APPROVED
 APPROVED AS NOTED
 RETURN FOR CORRECTION

BY: _____

DATE: _____

UPON APPROVAL, THESE DRAWINGS WILL TAKE PRECEDENCE OVER ALL PREVIOUS DRAWINGS FOR THIS PROJECT

No.	Description	Date

THIS DRAWING AND ALL INFORMATION CONTAINED HEREON IS THE PROPERTY OF WHITLEY MFG. CO. INC., AND IS NOT TO BE REPRODUCED WITHOUT THE EXPRESS PERMISSION OF WHITLEY MFG. CO., INC. WHITLEY MFG. CO. INC., ASSUMES NO RESPONSIBILITY FOR UNAUTHORIZED USE OF THIS DRAWING.

201 WEST FIRST STREET
 P.O. BOX 496
 SOUTH WHITLEY, IN 46787
 PHONE: 260.723.5131
 FAX: 260.723.6396
 www.whitleyman.com

dba Modular Builders
 2756 & 3089
 E. Fort Wayne Rd.
 P.O. BOX 505
 Rochester, IN 46975
 PHONE: 574.223.4934
 FAX: 574.223.8779

WHITLEY EAST
 64 HESS ROAD
 LEOLA, PA 17540
 PHONE: 717.656.2081

Drawn By:
RLH
 Checked By:
LH
 Rev:

COVER SHEET

GREEN FLUSH TECHNOLOGIES

RAMSEY PARK SPLASH PAD - COALINGA, CA

26'x19' (2) 24'-6" x 8'-6" MODULES (SKID MOUNT)

Serial No. 41521-41522	Date: 2.13.26
Quote No. 50552-8(REV2)	Scale: 3/16" = 1'-0"
Model No. 8088	Page No.
Job No. 2024-013-SW	A0.0

A-FRAME:

- 1 TYPE: PERIMETER - SKID MOUNT
 - 2 MAIN BEAM: C8"x18.75# CHANNEL; PRIME PAINTED (BLACK)
 - 3 X-MEMBER: NONE
 - 4 MISC: (16) BOLT-ON LIFTING LUGS w/ (48) 1"Ø BOLTS & WASHERS (SHIPLOOSE)
 - 5 TIE DOWN: NONE, SUPPLIED AND INSTALLED BY OTHERS ON SITE, IF REQ'D.
 - 6 MISC: (2) L8"x4"x1/2" @ 6" L STEEL ANGLE w/ 1 1/8" DIA. HOLE WELDED TO FRAME ON MATE LINE TO PULL MODS. TOGETHER ON SITE
- NOTE: SHIPLOOSE (3) 1"-14 THREAD SIZE HIGH STRENGTH STEEL THREADED RODS 2' LONG CONFORMING TO ASTM A354 GRADE BD. W/ (8) 18-8 STAINLESS STEEL HEX NUTS 1"-14 THREAD SIZE ASTM F594 WITH OVERSIZED WASHERS MODULE TO BE SHIPPED ON DROP DECK
- 7 MISC:

B-FLOOR:

- 1 DECKING: 8" NOM. POURED 4000 PSI **LIGHTWEIGHT** CONCRETE XYPEX AND E5 ADMIXES (NO IMPEADE INTRA SEAL (NO COLOR) w/ #4 REBAR SPACED @ 6" O.C. AT LENGTH AND @ 12" O.C. AT WIDTH
- NOTE: FLOOR TO SLOPE 1/4" PER FOOT TOWARDS FLOOR DRAINS
- 2 COVERING: NONE, CONCRETE TO HAVE "LIGHT" BROOM SLIP RESISTANT FINISH w/ (2)-COATS SILENCURE SRT SEALER (ROLLED ON) (MECHANICAL ROOM ONLY)
- NOTE: RESTROOM FLOOR COVERING ON SITE BY OTHERS (NO ADDITIONAL PREP REQ'D.)
- 3 BASE TRIM: NONE
 - 4 FLOOR OPENINGS: PER FLOOR PLAN
 - 8 MISC: (6) 19 1/2"L x 12 1/4"W x 1"T STEEL GRATE, PAINTED BLACK w/ 1 1/2" x 1 1/2" x 1/4" STEEL ANGLE SUPPORT, (2) 36" x 18" OPENINGS
 - 5 MISC: (4) 4"X3"X 1/2" ANGLE BUCKETS AT MATE-LINE TO CONNECT MODULES TOGETHER @ SITE SHIPLOOSE (3) 1"-14 THREAD SIZE HIGH STRENGTH STEEL THREADED RODS 2 FT.LONG CONFORMING TO ASTM A354 GRADE BD; SHIPLOOSE (8) 18-8 STAINLESS STEEL HEX NUTS 1"-14 THREAD SIZE, ASTM F594 WITH OVERSIZED WASHERS
 - 6 MISC: FILL IN FOR FLOOR OPENINGS FOR ALL PLUMBING DROPS IN CONCRETE w/ RECESSED SUPPORT AS REQ'D.
- NOTE: CHECK & REMOVE CONCRETE SLURRY AT ALL PLUMBING DROPS & BOTTOM OF FRAME
- NOTE: REMOVE ALL TAPE AND FOAM BLOCKING BEFORE SHIPPING

C-EXTERIOR WALLS:

- 1 CMU: DO NOT REMOVE TEMPORARY ROOF BRACING SUPPORTS AT MODULE SIDES UNTIL MODULE IS SET ON PERMANENT FOUNDATION
- NOTE: 16"L x 6"W x 8"H (NOM.) SPLIT FACED EXTERIOR (SMOOTH INTERIOR) - CMU HEIGHT: 8'-0"
- NOTE: (1) #4 REBAR (GRADE 60) VERTICAL REINFORCEMENT IN GROUTED CELLS @ 24" O.C. MAX. AND AT EACH SIDE OF DOORS & WINDOWS
- NOTE: DURAWALL WIRE JOINT REINFORCEMENT @ 16" O.C.
- NOTE: (2) #4 HORIZONTAL REBAR (GRADE 60) GROUTED IN BOND BEAMS @ MID-HEIGHT & TOP OF WALL
- NOTE: 18" VERTICAL REBAR SECTION TO BE WELDED TO TOP OF FRAME & GROUTED TO REBAR @ 24" O.C.
- NOTE: STEEL PLATE LINTELS ABOVE DOORS & WINDOW (PAINTED BLACK)
- CMU COLOR: NATURAL GRAY (NO COLOR)
- GROUT COLOR: STANDARD GRAY
- SEALER: LIFETIME WATERPROOFING ON EXTERIOR SPLIT FACE ONLY
- RR INT. COLOR: SW 9543 GYPSUM (2-COATS PAINT)
- MECH INT. COLOR: WHITE (2-COATS PAINT)
- 1a MISC: 2"X5"X1/4" STEEL TUBE WITH WELDED CORNERS AND SEAMS ON TOP OF CMU BLOCK WALL w/ SIMPSON EPB ANCHORS @ 32" O.C. (NOM.)
 - 2 BOTTOM PLATE: NONE
 - 3 TOP PLATE: (1) 2 x 6 (#2 SPF); BOTTOM PLATE TO BE KILN DRIED
 - 4 COVERING: NONE, 1x4 "SMARTSIDE" TRIM BOARD AT CEILING
- COLOR: SW 0056 CLASSIC SAND (RESTROOMS)
- COLOR: WHITE (MECHANICAL ROOM)
- 5 SHEATHING: 1/2" CDX PLYWOOD OR 7/16" O.S.B. (RATED 32/16)
 - 5a SHEATHING: WATER/WEATHER-RESISTIVE BARRIER (TYVEK OR EQUAL)
 - 6 INSULATION: NONE
 - 7 SIDING: L-P "SMARTSIDE" STRUCTURAL PANEL SIDING, 7/16" THK. GROOVES 8-IN. O.C. (CEDAR TEXTURE) (IN GABLES)
- COLOR: SW 2084 RENWICK ROSE BEIGE
- 8 EXT. TRIM: L-P "SMARTSIDE" TRIM BOARD (CEDAR TEXTURE) 1 x 4 @ MATELINE SEAM
- NOTE: SHIPPED LOOSE
- 1 x 4 @ TOP OF SIDING
- NOTE: BOTTOM EDGE PAINTED
- NOTE: SHIP LOOSE @ ENDWALLS
- 1 x 4 @ SIDING SPLICE
- NOTE: SHIP LOOSE @ ENDWALLS
- COLOR: SW 0056 CLASSIC SAND
- 11 MISC: SHRINKWRAP ENTIRE BUILDING
 - 12 SHIPPING WALL: 2X4 @16" O.C. W/ OSB IN ENTIRE MATE-LINE OPENING

D-INTERIOR WALLS:

- 1 CMU: 16"L x 6"W x 8"H (NOM.) SMOOTH FACED - WALL HEIGHT: 8'-0"
- NOTE: (1) #4 REBAR (GRADE 60) VERTICAL REINFORCEMENT IN GROUTED CELLS @ 24" O.C. MAX. AND AT EACH SIDE OF DOORS & WINDOW
- NOTE: DURAWALL WIRE JOINT REINFORCEMENT @ 16" O.C.
- NOTE: (2) #4 HORIZONTAL REBAR (GRADE 60) GROUTED IN BOND BEAMS @ MID-HEIGHT & TOP OF WALL
- NOTE: 24"x24" #4 HORIZONTAL BENT REBAR AT ALL CMU BOND BEAMS AT WALL INTERSECTIONS
- NOTE: DRILL & EPOXY #4 REBAR (GRADE 60) INTO FLOOR TO MATCH VERTICALS IN GROUTED CELLS AS REQ'D.
- CMU COLOR: NATURAL GRAY (NO COLOR)
- GROUT COLOR: STANDARD GRAY
- RR INT. COLOR: SW 9543 GYPSUM (2-COATS PAINT)
- MECH INT. COLOR: WHITE (2-COATS PAINT)
- 1a MISC: 2"X5"X1/4" STEEL TUBE WITH WELDED CORNERS AND SEAMS ON TOP OF CMU BLOCK WALL w/ SIMPSON EPB ANCHORS @ 32" O.C. (NOM.)
 - 2 BOTTOM PLATE: NONE
 - 3 TOP PLATE: (1) 2 x 6 (#2 SPF); BOTTOM PLATE TO BE KILN DRIED
 - 4 COVERING: NONE, 1x4 "SMARTSIDE" TRIM BOARD AT CEILING
- COLOR: SW 0056 CLASSIC SAND (RESTROOMS)
- COLOR: WHITE (MECHANICAL ROOM)
- 5 INSULATION: NONE
- E-ROOF:**
- 1 RAFTERS: MONO-SLOPE TRUSS @ 16" O.C. (3/12 PITCH) 30# L.L. SLOPED TO SIDEWALLS
- NOTE: INSTALL SIMPSON STRONG-TIE H2.5A HURRICANE TIE (OR EQUAL) AT TRUSS-TO-TOP PLATE CONNECTION
- 2 MATE BEAM: LVL, 1.8 E x 1 1/2" THICK 9 1/4" H 1-PLY MAX SPAN: 14'-5"
 - 3 CEILING: 5/16" THK. HARDIE-PANEL (STUCCO FINISH) OVER 7/16" O.S.B.
- COLOR: SW 6241 ALEUTIAN (RESTROOMS)
- COLOR: WHITE (MECHANICAL ROOM)
- NOTE: NO VISIBLE FASTENERS (USE FILLER @ SCREW HEADS)
- NOTE: WITH A 5/16"X 1 1/2" BATTEN OVER SEAMS
- 4 INSULATION: R-22 UNFACED FIBERGLASS BATT
 - 5 SHEATHING: (2) LAYERS 15/32" CDX PLYWOOD
- FASTENING: 2 1/4" x .148" NAILS @ 2" O.C. EDGES, 12" O.C. FIELD
- NOTE: BASE LAYER RAN PARALLEL WITH TRUSSES w/ BLOCKING AT EDGES & TOP LAYER RAN PERPENDICULAR WITH TRUSSES
- 6 ROOFING: 26 GAUGE STEEL STANDING SEAM (HORIZON-LOC 1"D. VERT. RIB) OVER ICE-SHIELD UNDERLAYMENT
- COLOR: GALLERY
- 7 OVERHANG: SIDE WALL OVERHANG: 12" (EAVES)
 - 8 SOFFIT: END WALL OVERHANG: 9" (GABLES)
- L-P "SMARTSIDE" SOFFIT (CEDAR TEXTURE), VENTILATED AS REQ'D.
- COLOR: SW 0056 CLASSIC SAND
- 9 FASCIA: 1 x 10 "SMARTSIDE" TRIM BOARD (CEDAR TEXTURE) - BEVELED
- COLOR: SW 6241 ALEUTIAN
- 12 GUTTERS: NONE, SUPPLIED AND INSTALLED BY OTHERS ON SITE, IF REQ'D.
 - 13 MISC: TEMPORARY DEADMEN BRACING OR STEEL FOR SHIPPING

WHITLEY MANUFACTURING INC.
201 WEST FIRST STREET
SOUTH WHITLEY, INDIANA 46787-0496
260-723-5131

APPROVED
APPROVED AS NOTED
RETURN FOR CORRECTION

BY: _____
DATE: _____

UPON APPROVAL, THESE DRAWINGS WILL
TAKE PRECEDENCE OVER ALL PREVIOUS
DRAWINGS FOR THIS PROJECT

DRAFT NOT FOR CONSTRUCTION

No.	Description	Date

INFORMATION CONTAINED
HEREON IS THE PROPERTY OF
WHITLEY MFG. CO. INC., AND
IS NOT TO BE REPRODUCED
WITHOUT THE EXPRESS
PERMISSION OF WHITLEY
MFG. CO., INC. WHITLEY MFG.
CO. INC., ASSUMES NO
RESPONSIBILITY FOR
UNAUTHORIZED USE OF THIS
DRAWING.

201 WEST FIRST STREET dba Modular Builders
P.O. BOX 496 2756 & 3089
SOUTH WHITLEY, IN 46787 E. Fort Wayne Rd.
PHONE: 260.723.5131 P.O. BOX 505
FAX: 260.723.6396 Rochester, IN 46975
www.whitleyman.com PHONE: 574.223.4934
FAX: 574.223.8779

WHITLEY EAST
64 HESS ROAD
LEOLA, PA 17540
PHONE: 717.656.2081

Drawn By:
RLH

Checked By:
LH

Rev:

SPECIFICATIONS

GREEN FLUSH TECHNOLOGIES

RAMSEY PARK SPLASH PAD - COALINGA, CA

26'x19' (2) 24'-6" x 8'-6" MODULES (SKID MOUNT)

Serial No. 41521-41522	Date: 2.13.26
Quote No. 50552-8 (REV2)	Scale: 3/16" = 1'-0"
Model No. 8088	Page No. A0.1
Job No. 2024-013-SW	

F-DOORS:

NOTE: STEEL PLATE LINTEL @ TOP OF DOOR OPENINGS (PAINTED BLACK)
 NOTE: ALL DOOR LOCKS ARE TO BE KEYED ALIKE
 NOTE: MASTER KEY TO GREEN FLUSH NATIONAL KEYING SYSTEM THRU TELL HARDWARE SUPPLIER TO OPEN ANY BUILDING
 NOTE: ALL EXPOSED FASTENERS ARE TO BE TAMPER RESISTANT

- 1 EXT. DOOR: 36"W X 84"H 18 GA. COMM. INSUL. STEEL (BLANK)
 w/ 14 GA. GALVANIZED STL. JAMBS (WELDED) W/4" HEAD
 w/ MASONRY WIRE ANCHORS
EXT. COLOR: SW 7029 AGREEABLE GRAY
INT. COLOR: SW 7029 AGREEABLE GRAY
 THROAT: 5 3/4"
- HARDWARE:
 a: MORTISE LOCKSET (LEVER), CORRIDOR FUNCTION (SCHLAGE L9456R-06A-630)
 w/ OCCUPANCY INDICATOR (SCHLAGE L283-722)
 b: CLOSER (GRADE 1), SURFACE MOUNT, CUSH-N-STOP ARM (LCN 4040XP-3077CNS)
 c: N.R.P. BALL BEARING HINGE, STAINLESS STEEL
 e: DOOR SILENCERS (NO WEATHERSTRIPPING)
 f: 34"x10" INTERIOR KICK PLATE ON PUSH SIDE (TICE)
 g: 24"W x 12"H GRILLE, MANUAL OPERATION w/ SCREEN (L&L LOUVERS INC. SAF-120-A)
 NOTE: NO THRESHOLD OR DOOR SWEEP ON RESTROOM DOORS
- 2 EXT. DOOR: 72"W X 84"H 18 GA. COMM. INSUL. STEEL (BLANK)
 w/ 14 GA. GALVANIZED STL. JAMBS (WELDED) W/4" HEAD
 w/ MASONRY WIRE ANCHORS
EXT. COLOR: SW 7029 AGREEABLE GRAY
INT. COLOR: SW 7029 AGREEABLE GRAY
 THROAT: 6"
- HARDWARE:
 a: LOCKSET (LEVER), STOREROOM FUNCTION (SCHLAGE ND80PD), ACTIVE LEAF ONLY
 b: TOP & BOTTOM MANUAL THROW BOLTS & ASTRAGAL, INACTIVE LEAF ONLY
 c: 4 1/2" x 4 1/2" N.R.P. BALL BEARING HINGE, 3 PER LEAF (BB1279)
 d: THRESHOLD (PEMCO)
 e: WEATHERSTRIPPING (NO SILENCERS) & DOOR SWEEP (PEMCO)
 f: 24"W x 12"H GRILLE, MANUAL OPERATION w/ SCREEN (L&L LOUVERS INC. SAF-120-A)
 g: STAY CHAIN (BOTH LEAVES)

G-WINDOWS:

- 1 SIZE: 32"W X 14"H FIXED ACRYLIC BLOCK (HY-LITE OR EQUAL)
 w/ VINYL FRAMES (MASONRY FLUSH FLANGE)
- FRAME COLOR: WHITE
 NOTE: STEEL PLATE LINTEL @ TOP OF WINDOW OPENING (PAINTED BLACK)
 NOTE: WINDOW TO BE LINED WITH PRESSURE TREATED 2x4
 CMU R.O. 35 1/2" X 17 1/2, UP: 64"
 WOOD R.O. 32 1/2"W X 14 1/2"H, UP: 65 1/2"
- GLAZING: 6"x6"x1 1/2" ACRYLIC BLOCK (GLACIER "FROSTED" OBSCURE PATTERN)
 NOTE: 5W x 2H BLOCK CONFIGURATION
- INT. TRIM: F.R.P. OUTSIDE CORNER TRIM

H-ELECTRICAL:

- 1 LOADCENTER: 120/240 V., 1-PH, 60 Hz, 3-WIRE, MAIN BREAKER SIZE PER BELOW
 (SEIMENS OR EQUAL w/ SNAP-IN BREAKERS)
 MOD. 1 - 100 A. MAIN BRKR. MOD. 2 - 150 A. MAIN BRKR.
- 2 SERV ENT: 1 1/2" EMT THROUGH FLOOR (8"x8" OPENING BELOW EACH LOADCENTER)
 NOTE: ALL SERVICE ENT. WIRING TO BE TYPE THWN COPPER.
 NOTE: MAIN DISTRIBUTION PANEL, & /OR MAIN DISCONNECT SWITCH, ALL REQUIRED
 FEEDER WIRING, HOME RUNS BETWEEN PANELS, CONDUITS, ETC., TO CONNECT
 FACTORY INSTALLED PANELS, PROVIDED & INSTALLED BY OTHERS ON SITE.
 NOTE: ALL SPLASH PAD EQUIPMENT, ELECTRICAL PANELS, WIRING, DISCONNECTS, ETC.,
 PROVIDED & INSTALLED BY OTHERS ON SITE.
- 3 WIRING: MC CABLE w/ INTERLOCKING TAPE SHEATH
 (#12 MIN WIRE SIZE) - TYPE THHN 90°C (CONCEALED AREAS)
 EMT IN AREAS WHERE WIRING WILL BE EXPOSED
- 4 INT. LIGHTS: (5) 15 WATT L.E.D. WALL PACK (CTL #LWP15BZ/DL/P) - UP 80" TO BOTT.
 NOTE: BLACK OUT PHOTOCELL
- 5 EXT. LIGHTS: (4) 15 WATT L.E.D. WALL PACK (CTL #LWP15BZ/DL/P) - UP 80" TO BOTT.
 - CONNECTED TO 120V .TIMER
 NOTE: BLACK OUT PHOTOCELL
- 9 RECEPTS: (2) 125V/20A QUADRECEPT GFI - UP 44" TO BOTTOM (MECHANICAL ROOM)
- 10 SWITCHES: (2) 120V OCCUPANCY/VACANCY SENSOR, CEILING-MOUNTED (ACUITY CMR-9-2P) (RESTROOMS)
 NOTE: OPERATES LIGHTS & EXHAUST FANS
- 11 SWITCHES: (2) 120V/20A SINGLE-POLE - UP 44" TO BOTTOM (MECHANICAL ROOM)
- 12 TIMER: (2) 120V TIMER FOR EXTERIOR LIGHTING (MECHANICAL ROOM)

J-PLUMBING:

- 1 WTR CLST: NOTE: PLUMBING FIXTURE SHUT-OFF VALVES TO BE LOCATED IN MECHANICAL ROOM
 NOTE: ALL EXPOSED FASTENERS TO BE TAMPER RESISTANT
 (2) STAINLESS STEEL FLOOR MOUNT, REAR DISCHARGE (H/C) (ACORN R2115-T-2-FVBO)
 w/ ELONGATED BOWL AND OPEN FRONT SEAT - UP 18" TO SEAT
 w/ 1.28 GPF EXPOSED MANUAL FLUSH VALVE, CHROME (ZURN Z6000-HET-YB-YC)
 FLUSH CONTROL ON APPROACH ("WIDE") SIDE OF TOILET
- 4 URINAL:
 5 LAVATORY: (2) 19" x 23" STAINLESS STEEL WALL HUNG (H/C) (ELKAY WCL1923OSDSACMC) - UP 34" TO RIM
 w/ AUTO SENSOR FAUCET, CHROME (CHICAGO 116.606.AB.1T)
 NOTE: SET FAUCET FOR 10 SECONDS OPERATION
 NOTE: (2) SINK TRAP GUARD
 RHEEM #RTEX-27 (27 KW) FOR LAVS AND EXTERIOR SHOWER
 (1) 2.5 GPM EXTERIOR SHOWER, ANTI-SCALD SHOWERPAC (SPEAKMAN S-1590-AF)
 PEX PIPE w/ 1/2" (MIN.) INSULATION
 (2) 3-WAY BALL DRAIN VALVE (WEBSTONE PRO-PAL SERIES)
 SCHEDULE 40 PVC
- 6 WTR HTR:
 8 SHOWER:
 9 SUPPLY:
 9a MISC:
 10 DWV:
- 12 MISC: NOTE: MULTIPLE DROPS STUBBED THRU FLOOR GRATE. INTER-
 CONNECTING MANIFOLD BY OTHERS ON SITE.
 NOTE: SHIPLOOSE PLUMBING VENT EXTENSIONS, FOR ON SITE INSTALLATION BY OTHERS
 NOTE: REMOVE ALL TAPE AND FOAM BLOCKING BEFORE SHIPPING
 HIGH/LOW H/C DRINKING FOUNTAIN, NON-REFRIGERATED, FREEZE-RESISTANT (HAWS 1119FR),
 UP 36" TO H/C SPOUT (NO BOTTLE FILLER)
 w/ (2) FREEZE RESISTANT IN-WALL VALVE SYSTEM (SURF. MOUNTED) (HAWS 6521FR)
 w/ HAWS SK-1 ADA CANE SKIRT
 AND (2) 1 1/4" DIA. NPT NIPPLE THRU WALL TO CONNECT DRINKING FOUNTAIN TO VALVE SYSTEM
- 14 MISC: DRYFIT DRINKING FOUNTAIN AND SHIPLOOSE FOR INSTALLATION ON SITE BY OTHERS
 NOTE: (1) 1/2"Ø HOSE BIBB w/ REMOVABLE HANDLE (WOODFORD 24P-1/2-PC) - UP 24"
 15 MISC: GRAB BARS (SEE FLOOR PLAN)
 SIDE BAR: 42"L. BACK BAR: 36"L. VERTICAL BAR: 18"L.
 GRAB BARS ARE UP 33"H TO 36"H TO TOP OF GRIPPING SURFACE
 VERTICAL BAR IS UP 39" - 41" TO BOTTOM
 (2) TOILET PAPER DISPENSER, TWO-ROLL (ROYCE ROLLS TP-2) - UP 24"
 (2) COAT HOOK (BOBRICK B-682) - UP 40"
 (2) PAPER TOWL DISPENSER / WASTE DISPOSAL (SURF. MOUNTED) (B-3699)
 - UP 40" TO OPERABLE PART
 (2) TOILET SEAT COVER DISPENSER (SURF. MOUNTED) (B-221) - UP 40" TO OPERABLE PART
 (2) SANITARY NAPKIN DISPOSAL (SURF. MOUNTED) (B-270) - UP 19" TO TOP
 (2) BABY CHANGING STATION (SURF. MOUNTED), GREY PLASTIC (KOALA KB300-01)
 - UP 17" TO BOTT.
 (1) 4"Ø PVC SLEEVE (2" ABOVE CONCRETE SLAB), CAST IN CONCRETE FOR CUSTOMER
 SUPPLIED & INSTALLED FILTER BACKWASH DRAIN (SEE DETAIL #2 SHT. S2.2)

K-H.V.A.C.:

- 5 EXH. DUCT: 6" DIA. FLEX DUCT IN RAFTER CAVITY
 8 EXH. FAN: (2) 150 CFM (CEILING MOUNT) (BROAN)
 10 THERMOSTAT: NONE, EXHAUST FANS CONNECTED TO RESTROOM LIGHTS

L-FURNITURE & FURNISHINGS:


- 1 MISC: NOTE: ALL EXPOSED FASTENERS TO BE TAMPER RESISTANT
 (1) WALL MOUNTED METAL FILE HOLDER (IN MECHANICAL ROOM)
- 2 SIGNAGE: (2) 6" x 8" ADA UNISEX RESTROOM SIGN, BRUSHED ALUMINUM
 NOTE: INSTALLED ON EXTERIOR WALL BESIDE RESTROOM DOOR LATCH, UP 48" TO BRAILLE
- 3 SIGNAGE: (2) BABY CHANGING STATION SIGN, BRUSHED ALUMINUM
 NOTE: INSTALLED ON EXTERIOR WALL BESIDE RESTROOM SIGN, UP 48" TO BRAILLE

M-MISCELLANEOUS:

- 1 SHIP LOOSE: TOUCH UP PAINT FOR ALL PAINTS USED
 2 SHIP LOOSE: OWNER'S MANUALS IN POUCH IN THE MECHANICAL ROOM
 3 SHIP LOOSE: EXTERIOR MATELINE CLOSE-UP MATERIAL
 SHIPPED LOOSE FOR INSTALLATION BY OTHERS @ SITE
 4 SHIP LOOSE: OTHER MATERIAL (FOR SITE-WORK BY OTHERS)
 SHIPPED LOOSE AS NOTED

No.	Description	Date

THIS DRAWING AND ALL INFORMATION CONTAINED HEREON IS THE PROPERTY OF WHITLEY MFG. CO. INC., AND IS NOT TO BE REPRODUCED WITHOUT THE EXPRESS PERMISSION OF WHITLEY MFG. CO., INC., ASSUMES NO RESPONSIBILITY FOR UNAUTHORIZED USE OF THIS DRAWING.

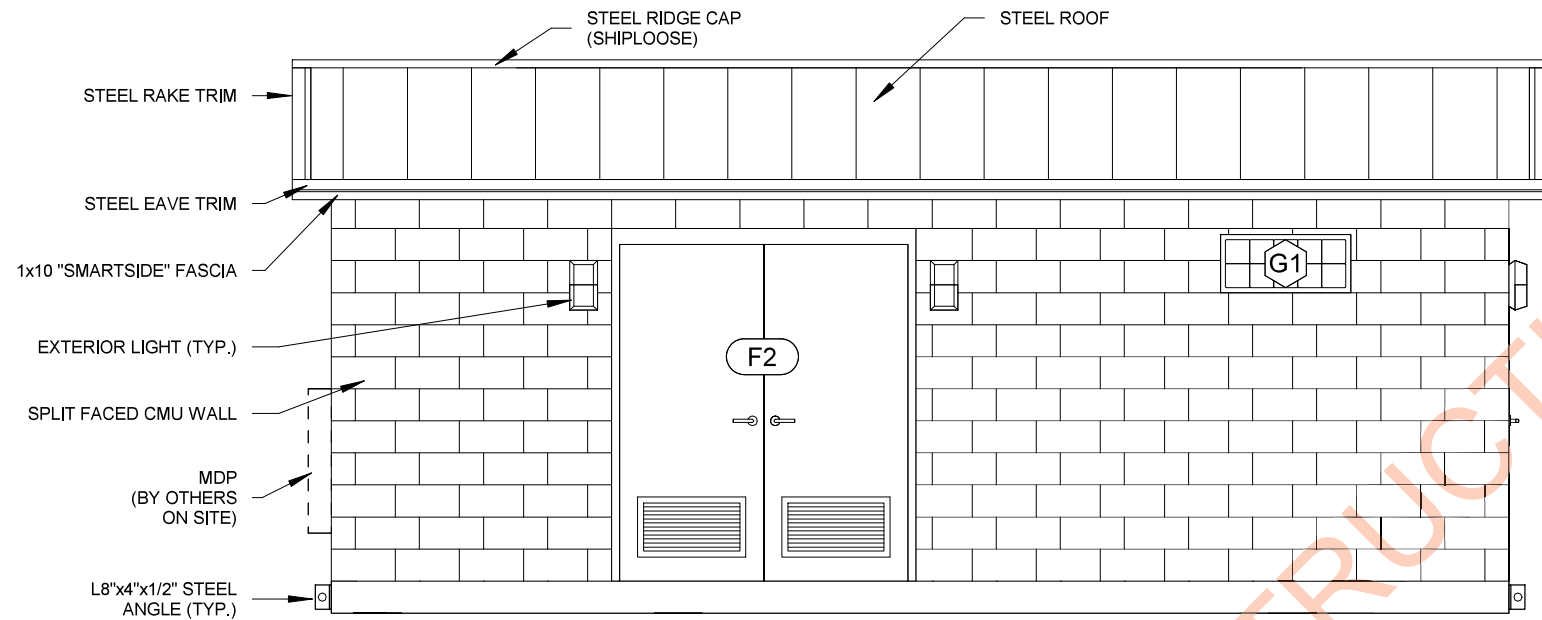


201 WEST FIRST STREET
 P.O. BOX 496
 SOUTH WHITLEY, IN 46787
 PHONE: 260.723.5131
 FAX: 260.723.6396
 www.whitleyman.com

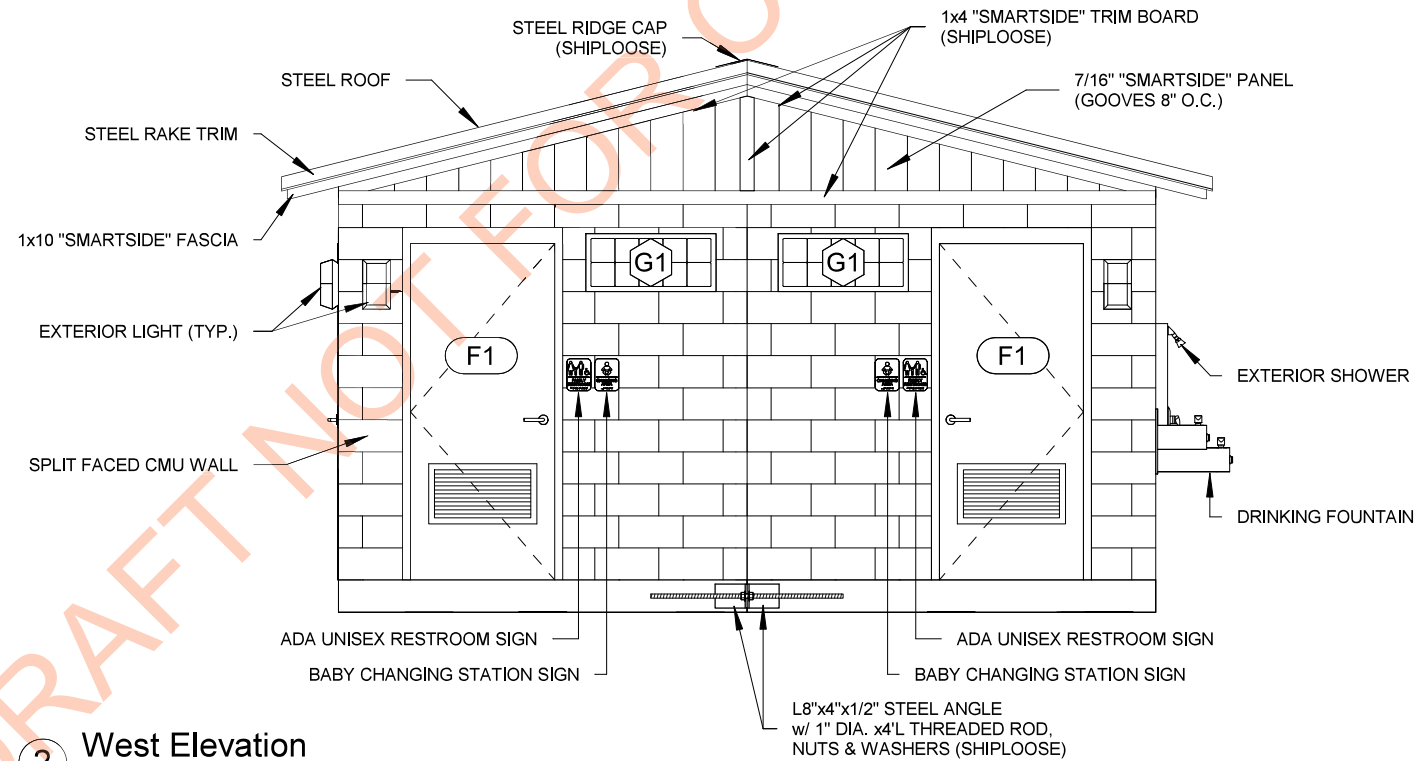
dba Modular Builders
 2756 & 3089
 E. Fort Wayne Rd.
 P.O. BOX 505
 Rochester, IN 46975
 PHONE: 574.223.4934
 FAX: 574.223.8779

WHITLEY EAST
 64 HESS ROAD
 LEOLA, PA 17540
 PHONE: 717.656.2081

Drawn By: RLH	<p align="center">SPECIFICATIONS CONT.</p> <p align="center">GREEN FLUSH TECHNOLOGIES</p> <p align="center">RAMSEY PARK SPLASH PAD - COALINGA, CA</p> <p align="center">26'x19' (2) 24'-6" x 8'-6" MODULES (SKID MOUNT)</p>	Serial No. 41521-41522	Date: 2.13.26
Checked By: LH		Quote No. 50552-8 (REV2)	Scale:
Rev:		Model No. 8088	Page No. A0.2
		Job No. 2024-013-SW	



1 North Elevation
1/4" = 1'-0"



2 West Elevation
1/4" = 1'-0"

WHITLEY MANUFACTURING INC.
201 WEST FIRST STREET
SOUTH WHITLEY, INDIANA 46787-0496
260-723-5131

APPROVED
 APPROVED AS NOTED
 RETURN FOR CORRECTION

BY: _____
DATE: _____

UPON APPROVAL, THESE DRAWINGS WILL TAKE PRECEDENCE OVER ALL PREVIOUS DRAWINGS FOR THIS PROJECT

No.	Description	Date

THIS DRAWING AND ALL INFORMATION CONTAINED HEREON IS THE PROPERTY OF WHITLEY MFG. CO., INC., AND IS NOT TO BE REPRODUCED WITHOUT THE EXPRESS PERMISSION OF WHITLEY MFG. CO., INC. WHITLEY MFG. CO., INC., ASSUMES NO RESPONSIBILITY FOR UNAUTHORIZED USE OF THIS DRAWING.

201 WEST FIRST STREET
P.O. BOX 496
SOUTH WHITLEY, IN 46787
PHONE: 260.723.5131
FAX: 260.723.6396
www.whitleyman.com

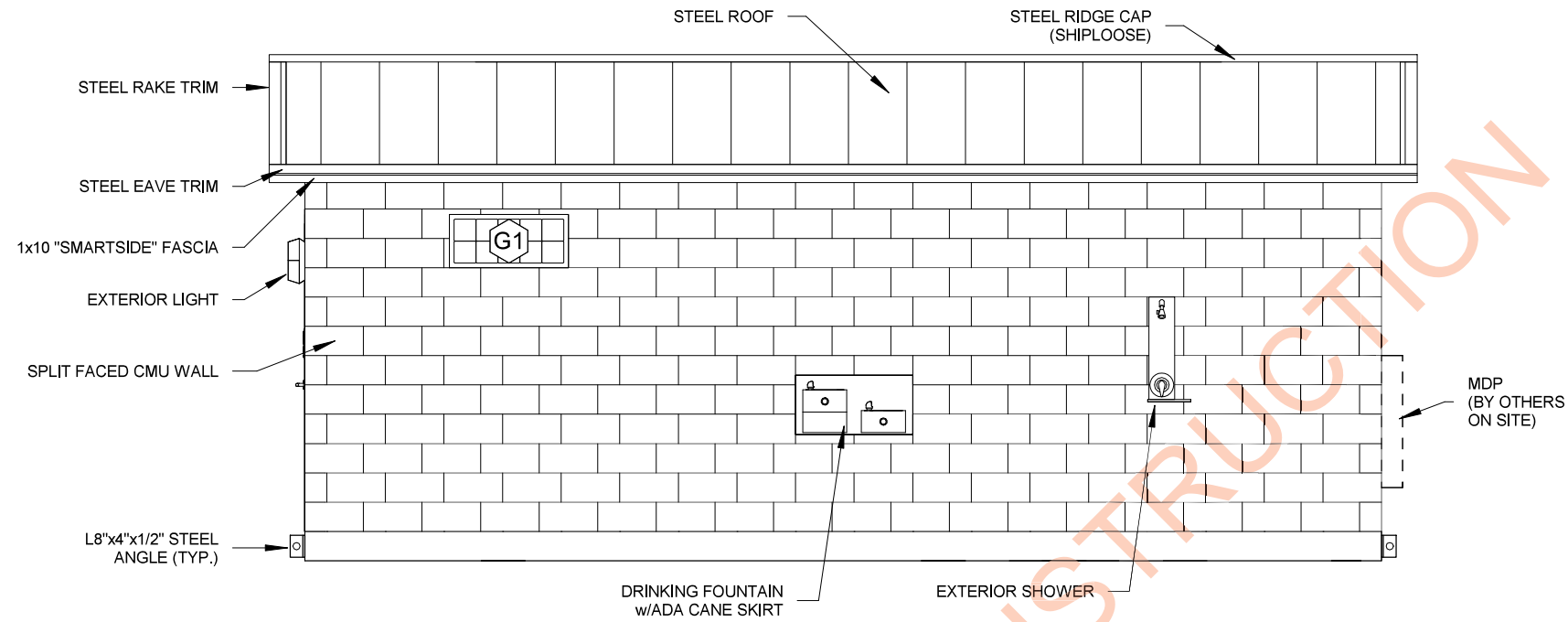
dba Modular Builders
2756 & 3089
E. Fort Wayne Rd.
P.O. BOX 505
Rochester, IN 46975
PHONE: 574.223.4934
FAX: 574.223.8779

WHITLEY EAST
64 HESS ROAD
LEOLA, PA 17540
PHONE: 717.656.2081

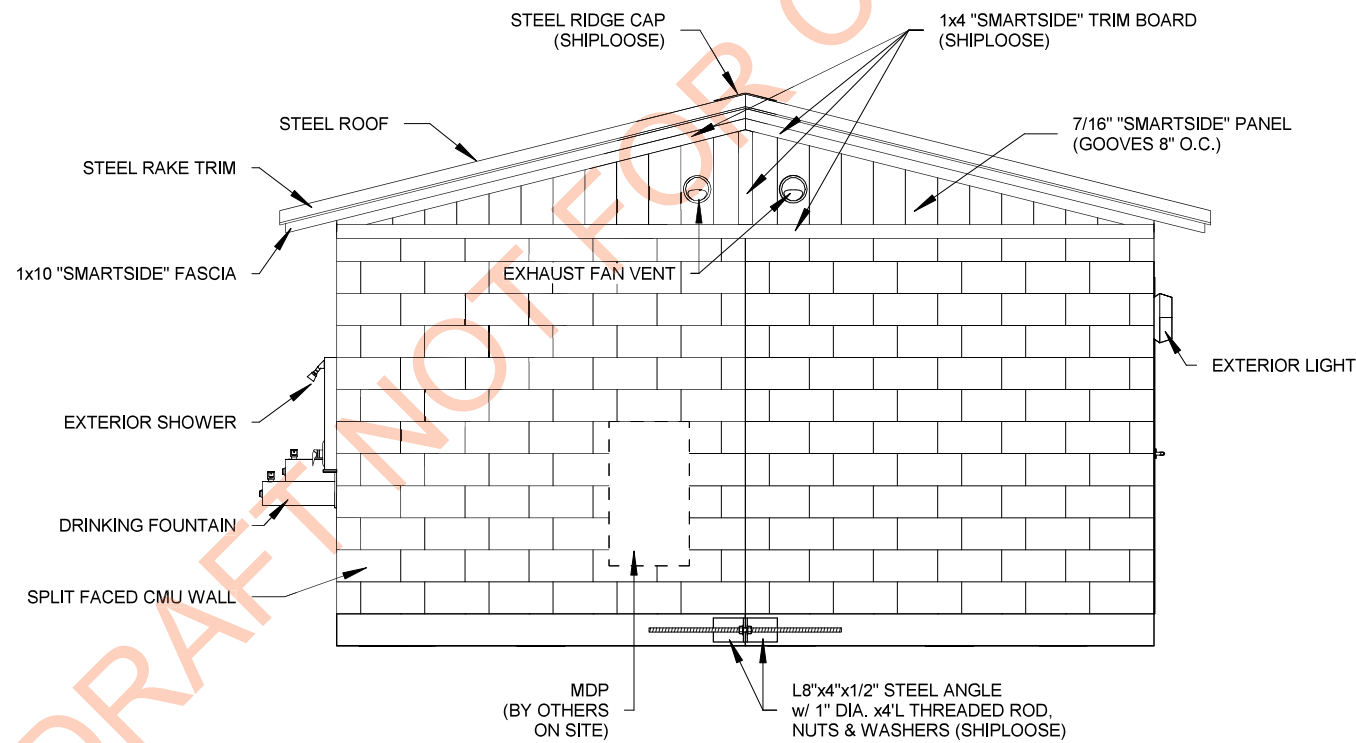
Drawn By:
RLH
Checked By:
LH
Rev:

EXTERIOR ELEVATIONS
GREEN FLUSH TECHNOLOGIES
RAMSEY PARK SPLASH PAD - COALINGA, CA
26'x19' (2) 24'-6" x 8'-6" MODULES (SKID MOUNT)

Serial No. 41521-41522	Date: 2.13.26
Quote No. 50552-8 (REV2)	Scale: As indicated
Model No. 8088	Page No. A1.0
Job No. 2024-013-SW	



1 South Elevation
1/4" = 1'-0"



2 East Elevation
1/4" = 1'-0"

WHITLEY MANUFACTURING INC.
201 WEST FIRST STREET
SOUTH WHITLEY, INDIANA 46787-0496
260-723-5131

APPROVED
 APPROVED AS NOTED
 RETURN FOR CORRECTION

BY: _____
DATE: _____

UPON APPROVAL, THESE DRAWINGS WILL TAKE PRECEDENCE OVER ALL PREVIOUS DRAWINGS FOR THIS PROJECT

No.	Description	Date

THIS DRAWING AND ALL INFORMATION CONTAINED HEREON IS THE PROPERTY OF WHITLEY MFG. CO., INC., AND IS NOT TO BE REPRODUCED WITHOUT THE EXPRESS PERMISSION OF WHITLEY MFG. CO., INC. WHITLEY MFG. CO., INC., ASSUMES NO RESPONSIBILITY FOR UNAUTHORIZED USE OF THIS DRAWING.

201 WEST FIRST STREET
P.O. BOX 496
SOUTH WHITLEY, IN 46787
PHONE: 260.723.5131
FAX: 260.723.6396
www.whitleyman.com

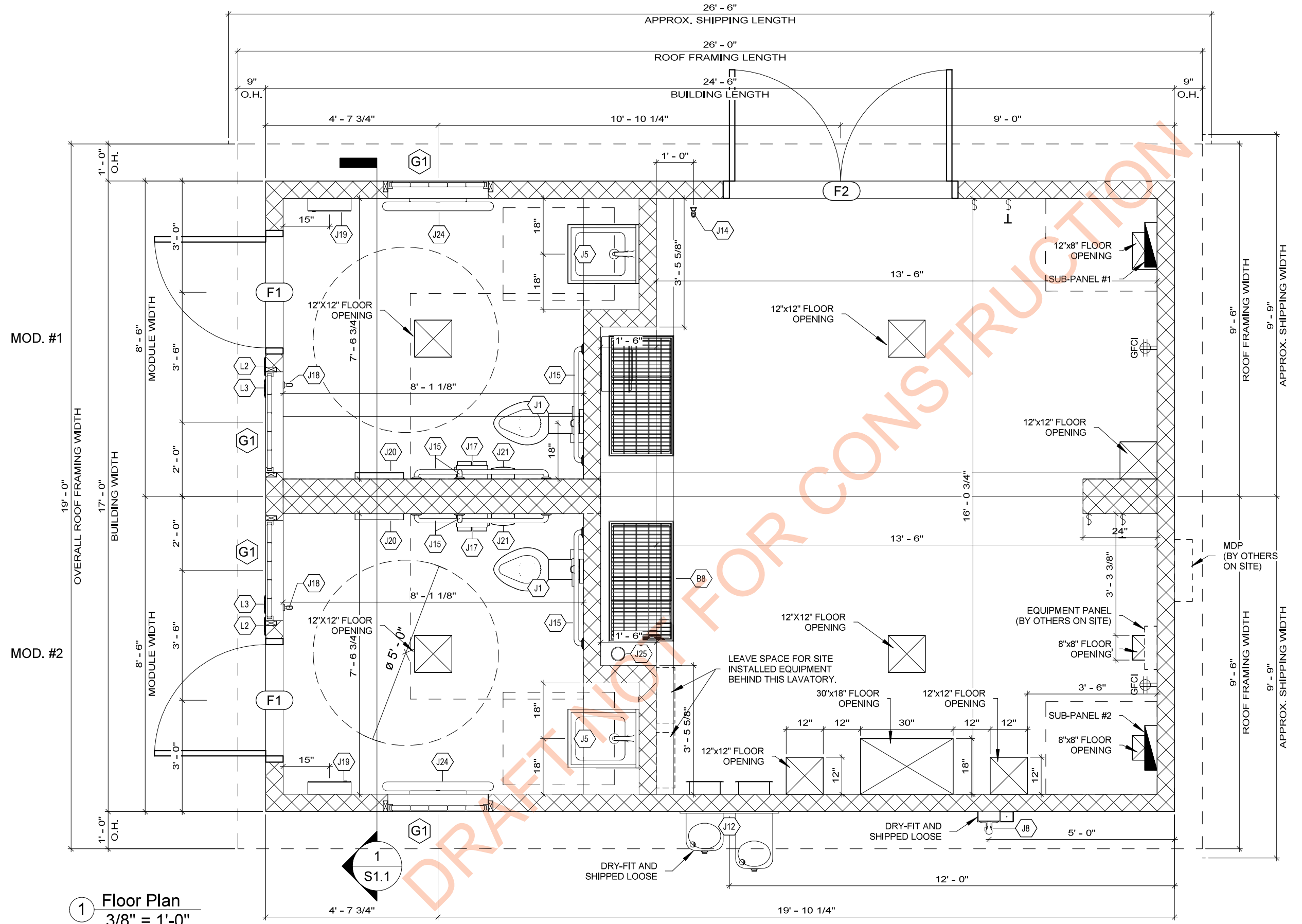
dba Modular Builders
2756 & 3089
E. Fort Wayne Rd.
P.O. BOX 505
Rochester, IN 46975
PHONE: 574.223.4934
FAX: 574.223.8779

WHITLEY EAST
64 HESS ROAD
LEOLA, PA 17540
PHONE: 717.656.2081

Drawn By:
RLH
Checked By:
LH
Rev:

EXTERIOR ELEVATIONS
GREEN FLUSH TECHNOLOGIES
RAMSEY PARK SPLASH PAD - COALINGA, CA
26'x19' (2) 24'-6" x 8'-6" MODULES (SKID MOUNT)

Serial No. 41521-41522	Date: 2.13.26
Quote No. 50552-8 (REV2)	Scale: As indicated
Model No. 8088	Page No. A1.1
Job No. 2024-013-SW	



LEGEND	
[Symbol]	H1
[Symbol]	H3a
[Symbol]	H4
[Symbol]	H5
[Symbol]	H8
[Symbol]	H9
[Symbol]	H10
[Symbol]	H11
[Symbol]	H12
[Symbol]	J13
[Symbol]	J15
[Symbol]	J17
[Symbol]	J19
[Symbol]	J20
[Symbol]	J21
[Symbol]	J24
[Symbol]	K8

Note: Identification hexagons on the drawings and in the symbol legend correspond to the project specifications (Shts A0.1 & A0.2). The letter in the hexagon matches the specification section, the number in the hexagon matches the section number.

WHITLEY MANUFACTURING INC.
 201 WEST FIRST STREET
 SOUTH WHITLEY, INDIANA 46787-0496
 260-723-5131

APPROVED AS NOTED
 RETURN FOR CORRECTION

BY: _____
 DATE: _____

UPON APPROVAL, THESE DRAWINGS WILL TAKE PRECEDENCE OVER ALL PREVIOUS DRAWINGS FOR THIS PROJECT

1 Floor Plan
 3/8" = 1'-0"

No.	Description	Date

THIS DRAWING AND ALL INFORMATION CONTAINED HEREON IS THE PROPERTY OF WHITLEY MFG. CO. INC., AND IS NOT TO BE REPRODUCED WITHOUT THE EXPRESS PERMISSION OF WHITLEY MFG. CO., INC. WHITLEY MFG. CO. INC., ASSUMES NO RESPONSIBILITY FOR UNAUTHORIZED USE OF THIS DRAWING.

201 WEST FIRST STREET
 P.O. BOX 496
 SOUTH WHITLEY, IN 46787
 PHONE: 260.723.5131
 FAX: 260.723.6396
 www.whitleyman.com

dba Modular Builders
 2756 & 3089
 E. Fort Wayne Rd.
 P.O. BOX 505
 Rochester, IN 46975
 PHONE: 574.223.4934
 FAX: 574.223.8779

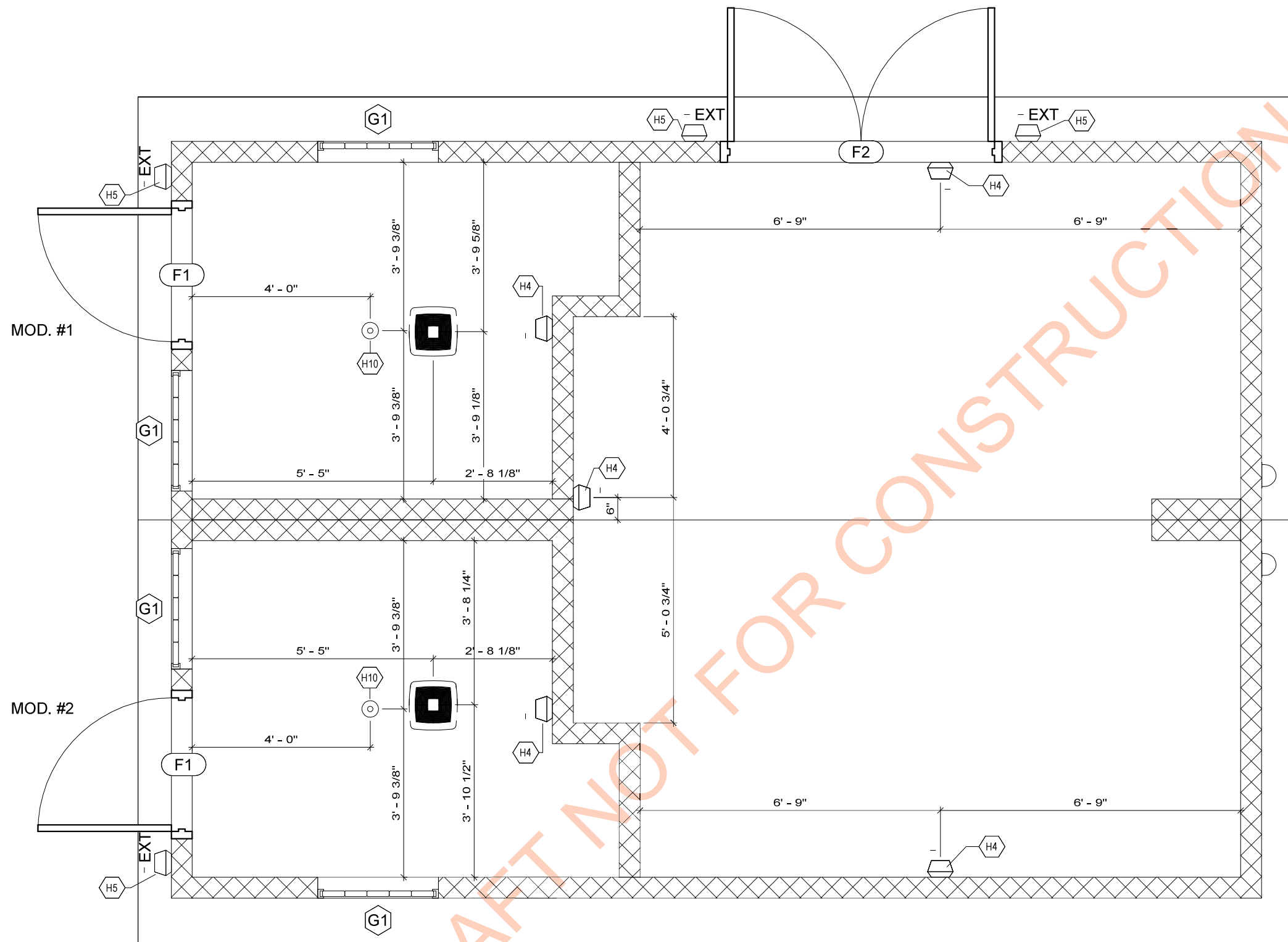
WHITLEY EAST
 64 HESS ROAD
 LEOLA, PA 17540
 PHONE: 717.656.2081

Drawn By:
 RLH
 Checked By:
 LH
 Rev:

FLOOR PLAN
GREEN FLUSH TECHNOLOGIES
RAMSEY PARK SPLASH PAD - COALINGA, CA
26'x19' (2) 24'-6" x 8'-6" MODULES (SKID MOUNT)

Serial No. 41521-41522	Date: 2.13.26
Quote No. 50552-8 (REV2)	Scale: As indicated
Model No. 8088	Page No. A2.1
Job No. 2024-013-SW	

3/2/2026 8:51:05 AM



MOD. #1

MOD. #2

1 Reflected Ceiling Plan
3/8" = 1'-0"

LEGEND	
	H1
	H3a
	H4
	H5
	H8
	H9
	H10
	H11
	H12
	J13
	J15
	J17
	J19
	J20
	J21
	J24
	K8

Note: Identification hexagons on the drawings and in the symbol legend correspond to the project specifications (Shts A0.1 & A0.2). The letter in the hexagon matches the specification section, the number in the hexagon matches the section number.

WHITLEY MANUFACTURING INC.
201 WEST FIRST STREET
SOUTH WHITLEY, INDIANA 46787-0496
260-723-5131

APPROVED
 APPROVED AS NOTED
 RETURN FOR CORRECTION

BY: _____
DATE: _____

UPON APPROVAL, THESE DRAWINGS WILL TAKE PRECEDENCE OVER ALL PREVIOUS DRAWINGS FOR THIS PROJECT

No.	Description	Date

THIS DRAWING AND ALL INFORMATION CONTAINED HEREON IS THE PROPERTY OF WHITLEY MFG. CO. INC., AND IS NOT TO BE REPRODUCED WITHOUT THE EXPRESS PERMISSION OF WHITLEY MFG. CO., INC. WHITLEY MFG. CO. INC., ASSUMES NO RESPONSIBILITY FOR UNAUTHORIZED USE OF THIS DRAWING.



201 WEST FIRST STREET
P.O. BOX 496
SOUTH WHITLEY, IN 46787
PHONE: 260.723.5131
FAX: 260.723.6396
www.whitleyman.com

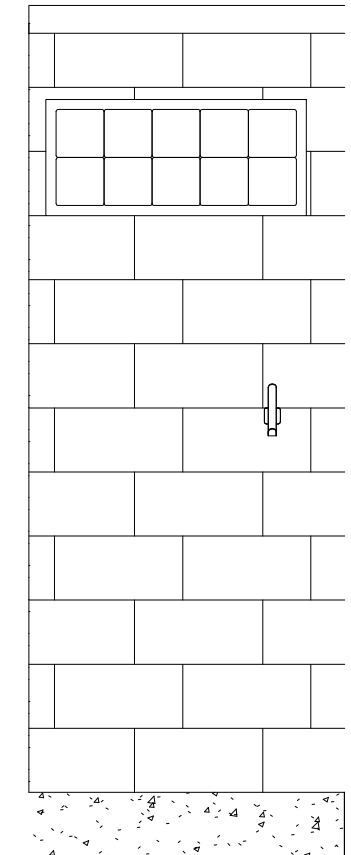
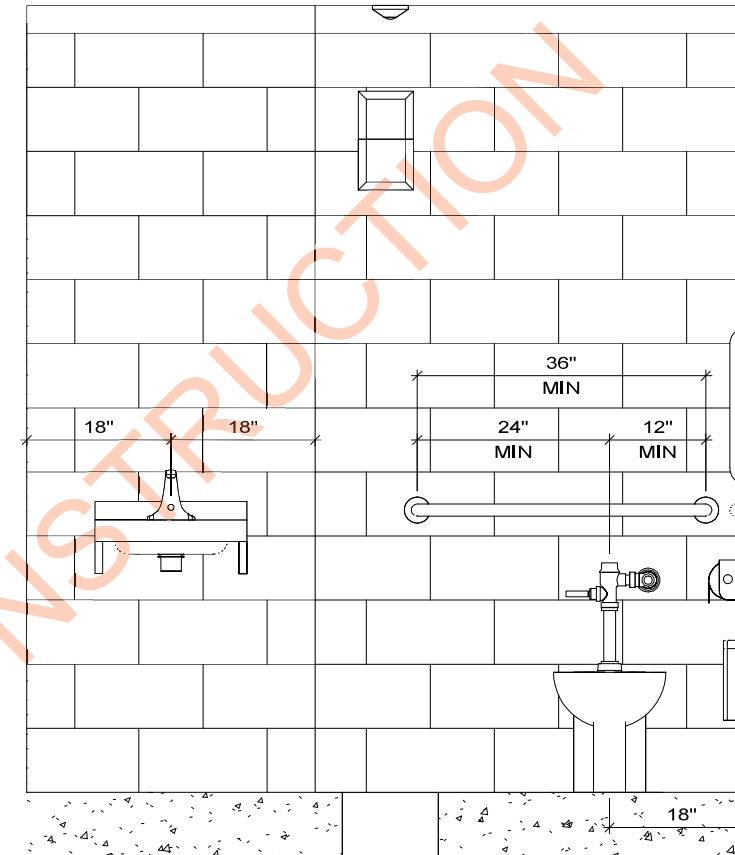
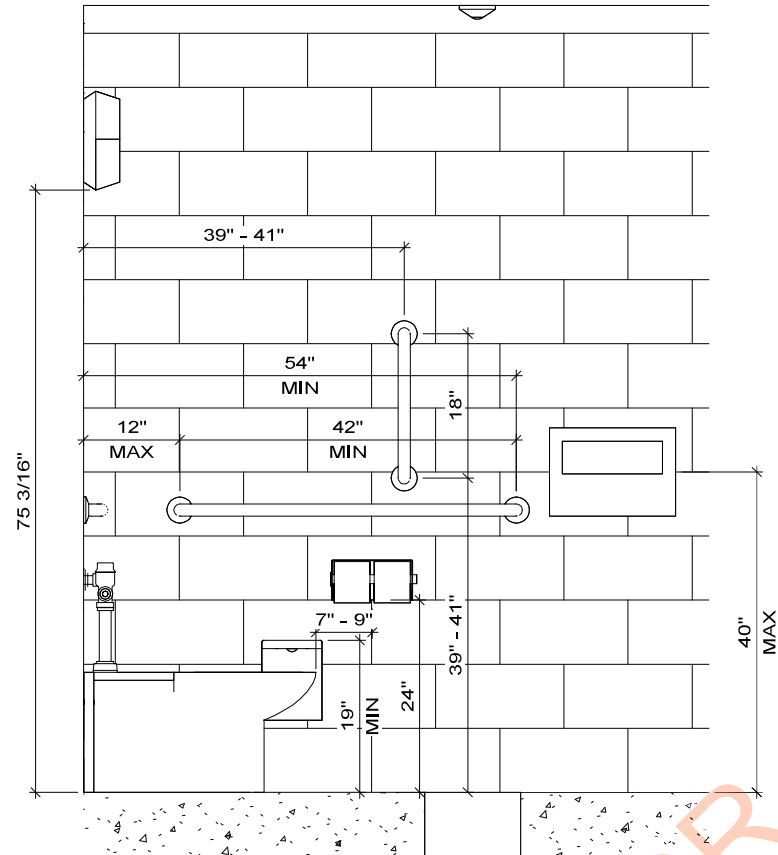
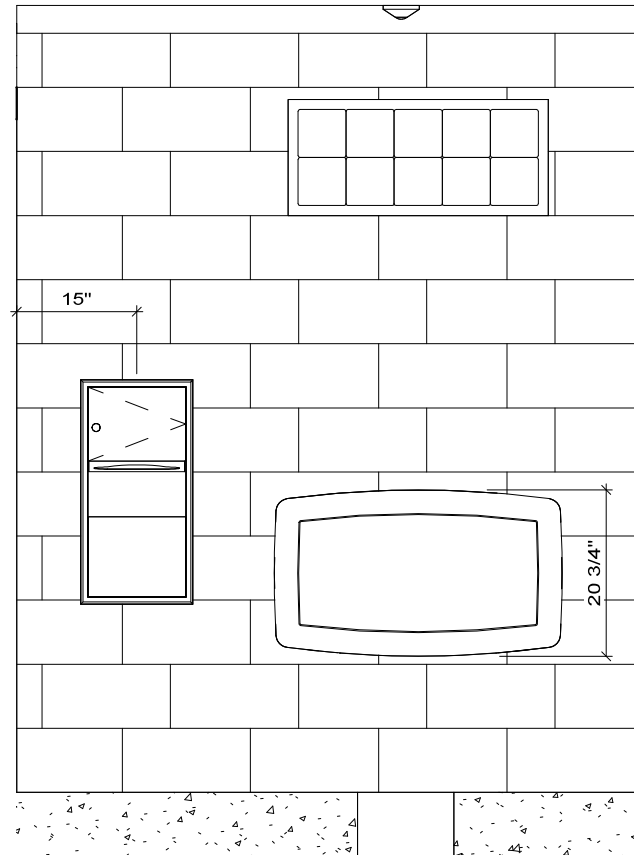
dba Modular Builders
2756 & 3089
E. Fort Wayne Rd.
P.O. BOX 505
Rochester, IN 46975
PHONE: 574.223.4934
FAX: 574.223.8779

WHITLEY EAST
64 HESS ROAD
LEOLA, PA 17540
PHONE: 717.656.2081

Drawn By:
RLH
Checked By:
LH
Rev:

REFLECTED CEILING PLAN
GREEN FLUSH TECHNOLOGIES
RAMSEY PARK SPLASH PAD - COALINGA, CA
26'x19' (2) 24'-6" x 8'-6" MODULES (SKID MOUNT)

Serial No. 41521-41522	Date: 2.13.26
Quote No. 50552-8 (REV2)	Scale: As indicated
Model No. 8088	Page No. A3.1
Job No. 2024-013-SW	



① Side Wall Elevation
1/2" = 1'-0"

② Water Closet Side Wall Elevation
1/2" = 1'-0"

③ Rear Wall Elevation
1/2" = 1'-0"

④ Coat Hook Elevation
1/2" = 1'-0"

DRAFT NOT FOR CONSTRUCTION

WHITLEY MANUFACTURING INC.
 201 WEST FIRST STREET
 SOUTH WHITLEY, INDIANA 46787-0496
 260-723-5131

APPROVED
 APPROVED AS NOTED
 RETURN FOR CORRECTION

BY: _____

DATE: _____

UPON APPROVAL, THESE DRAWINGS WILL TAKE PRECEDENCE OVER ALL PREVIOUS DRAWINGS FOR THIS PROJECT

No.	Description	Date

THIS DRAWING AND ALL INFORMATION CONTAINED HEREON IS THE PROPERTY OF WHITLEY MFG. CO., INC., AND IS NOT TO BE REPRODUCED WITHOUT THE EXPRESS PERMISSION OF WHITLEY MFG. CO., INC. ASSUMES NO RESPONSIBILITY FOR UNAUTHORIZED USE OF THIS DRAWING.

201 WEST FIRST STREET
 P.O. BOX 496
 SOUTH WHITLEY, IN 46787
 PHONE: 260.723.5131
 FAX: 260.723.6396
 www.whitleyman.com

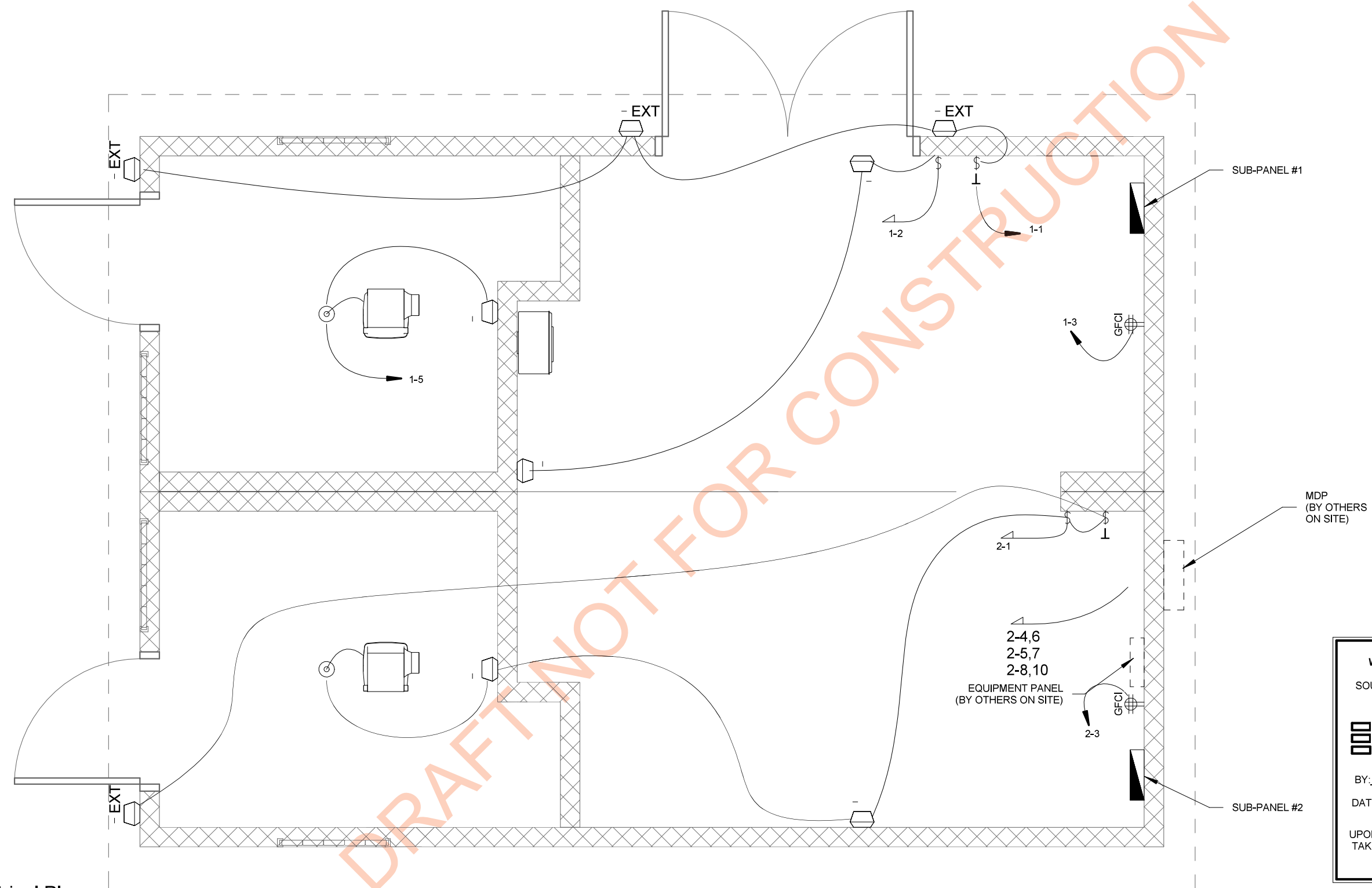
dba Modular Builders
 2756 & 3089
 E. Fort Wayne Rd.
 P.O. BOX 505
 Rochester, IN 46975
 PHONE: 574.223.4934
 FAX: 574.223.8779

WHITLEY EAST
 64 HESS ROAD
 LEOLA, PA 17540
 PHONE: 717.656.2081

Drawn By:
RLH
 Checked By:
LH
 Rev:

ADA MOUNTING DETAILS
GREEN FLUSH TECHNOLOGIES
 RAMSEY PARK SPLASH PAD - COALINGA, CA
 26'x19' (2) 24'-6" x 8'-6" MODULES (SKID MOUNT)

Serial No. 41521-41522	Date: 2.13.26
Quote No. 50552-8(REV2)	Scale: As indicated
Model No. 8088	Page No. A5.1
Job No. 2024-013-SW	



LEGEND	
[Symbol]	H1
[Symbol]	H3a
[Symbol]	H4
[Symbol]	H5
[Symbol]	H8
[Symbol]	H9
[Symbol]	H10
[Symbol]	H11
[Symbol]	H12
[Symbol]	J13
[Symbol]	J15
[Symbol]	J17
[Symbol]	J19
[Symbol]	J20
[Symbol]	J21
[Symbol]	J24
[Symbol]	K8

Note: Identification hexagons on the drawings and in the symbol legend correspond to the project specifications (Shts A0.1 & A0.2). The letter in the hexagon matches the specification section, the number in the hexagon matches the section number.

WHITLEY MANUFACTURING INC.
 201 WEST FIRST STREET
 SOUTH WHITLEY, INDIANA 46787-0496
 260-723-5131

APPROVED
 APPROVED AS NOTED
 RETURN FOR CORRECTION

BY: _____
 DATE: _____

UPON APPROVAL, THESE DRAWINGS WILL TAKE PRECEDENCE OVER ALL PREVIOUS DRAWINGS FOR THIS PROJECT

1 Electrical Plan
 3/8" = 1'-0"

No.	Description	Date

THIS DRAWING AND ALL INFORMATION CONTAINED HEREON IS THE PROPERTY OF WHITLEY MFG. CO., INC., AND IS NOT TO BE REPRODUCED WITHOUT THE EXPRESS PERMISSION OF WHITLEY MFG. CO., INC. ASSUMES NO RESPONSIBILITY FOR UNAUTHORIZED USE OF THIS DRAWING.



201 WEST FIRST STREET
 P.O. BOX 496
 SOUTH WHITLEY, IN 46787
 PHONE: 260.723.5131
 FAX: 260.723.6396
 www.whitleyman.com

dba Modular Builders
 2756 & 3089
 E. Fort Wayne Rd.
 P.O. BOX 505
 Rochester, IN 46975
 PHONE: 574.223.4934
 FAX: 574.223.8779

WHITLEY EAST
 64 HESS ROAD
 LEOLA, PA 17540
 PHONE: 717.656.2081

Drawn By:
 RLH
 Checked By:
 LH
 Rev:

ELECTRICAL PLAN
GREEN FLUSH TECHNOLOGIES
RAMSEY PARK SPLASH PAD - COALINGA, CA
26'x19' (2) 24'-6" x 8'-6" MODULES (SKID MOUNT)

Serial No. 41521-41522	Date: 2.13.26
Quote No. 50552-8 (REV2)	Scale: As indicated
Model No. 8088	Page No. E2.1
Job No. 2024-013-SW	

MODEL # 8088
 PANEL # 1
 SERVICE TYPE:
 1 -PHASE,
 240 VOLTS

UNIT WIDTH: 8.5 FT.
 UNIT LENGTH: 24.5 FT.
 TOTAL SQUARE FOOTAGE: 208.25 SQ. FT
 TOTAL CALCULATED LIGHTING LOAD: 728.875 WATTS
 TOTAL CONNECTED LIGHTING LOAD: 113 WATTS
 TOTAL WATTS (w/ FACTOR) FOR LOADCENTER: 1304.88 WATTS

MODEL # 8088
 PANEL # 2
 SERVICE TYPE:
 1 -PHASE,
 240 VOLTS

UNIT WIDTH: 8.5 FT.
 UNIT LENGTH: 24.5 FT.
 TOTAL SQUARE FOOTAGE: 208.25 SQ. FT
 TOTAL CALCULATED LIGHTING LOAD: 728.875 WATTS
 TOTAL CONNECTED LIGHTING LOAD: 56 WATTS
 TOTAL WATTS (w/ FACTOR) FOR LOADCENTER: 28184.9 WATTS

WIRE SIZE	PNL. #	CIRC #	BRKR. SIZE	DESCRIPTION	DEVICE QTY	PHASE A	PHASE B	PHASE C	WATTAGE OF DEVICE	TOTAL WATTS	DEMAND FACTOR	TOTAL WATTS w/ FACTOR
#12	1-1	20A/1P	15W L.E.D. WALL PACK	3	45.0				15	45	1.25	56
#12	1-2	20A/1P	15W L.E.D. WALL PACK	2	30.0				15	30	1.25	38
#12	1-3	20A/1P	QUADRECEPT	1			360.0		360	360	1.00	360
----	1-4	N/A	UNUSED SPACE	0			0.0		0	0	1.00	0
#12	1-5	20A/1P	15W L.E.D. WALL PACK	1	15.0				15	15	1.25	19
----			150 CFM EXH. FAN	1	216.0				216	216	1.00	216
----	1-6	N/A	UNUSED SPACE	0	0.0				0	0	1.00	0
----	1-7	N/A	UNUSED SPACE	0			0.0		0	0	1.00	0
----	1-8	N/A	UNUSED SPACE	0			0.0		0	0	1.00	0
----	1-9	N/A	UNUSED SPACE	0	0.0				0	0	1.00	0
----	1-10	N/A	UNUSED SPACE	0	0.0				0	0	1.00	0
----	1-11	N/A	UNUSED SPACE	0			0.0		0	0	1.00	0
----	1-12	N/A	UNUSED SPACE	0			0.0		0	0	1.00	0

TOTAL WATTAGE, PHASE "A"= 306.0 WATTS
 TOTAL WATTAGE, PHASE "B"= 360.0 WATTS

TOTAL ACTUAL WATTAGE: 666.0 (1-PHASE) = 2.8 AMPS X 125 % MULTIPLIER* = 5.4 AMP's. TOTAL CALCULATED 100 AMP. MAIN BREAKER SIZE
 240 Volts *(continuous loads only)

NOTES:

- The ID # is intended to identify a specific circuit breaker or location inside the loadcenter.
- Circuits shall be balanced between phases as near as possible in accordance with N.E.C.

WIRE SIZE	PNL. #	CIRC #	BRKR. SIZE	DESCRIPTION	DEVICE QTY	PHASE A	PHASE B	PHASE C	WATTAGE OF DEVICE	TOTAL WATTS	DEMAND FACTOR	TOTAL WATTS w/ FACTOR
#12	2-1	20A/1P	15W L.E.D. WALL PACK	3	45.0				15	45	1.25	56
----			150 CFM EXH. FAN	1	216.0				216	216	1.00	216
----	2-2	N/A	UNUSED SPACE	0	0.0				0	0	1.00	0
#12	2-3	20A/1P	QUADRECEPT	1			360.0		360	360	1.00	360
#8	2-4	40A/2P	RHEEM RTEX-27	1			4480.0		4480	4480	1.00	4480
#8	2-5	40A/2P	RHEEM RTEX-27	1	4480.0				4480	4480	1.00	4480
----	2-6		RHEEM RTEX-27	1	4480.0				4480	4480	1.00	4480
----	2-7		RHEEM RTEX-27	1			4480.0		4480	4480	1.00	4480
#8	2-8	40A/2P	RHEEM RTEX-27	1			4480.0		4480	4480	1.00	4480
----	2-9	N/A	UNUSED SPACE	0	0.0				0	0	1.00	0
----	2-10		RHEEM RTEX-27	1	4480.0				4480	4480	1.00	4480
----	2-11	N/A	UNUSED SPACE	0			0.0		0	0	1.00	0
----	2-12	N/A	UNUSED SPACE	0			0.0		0	0	1.00	0

TOTAL WATTAGE, PHASE "A"= 13701.0 WATTS
 TOTAL WATTAGE, PHASE "B"= 13800.0 WATTS

TOTAL ACTUAL WATTAGE: 27501.0 (1-PHASE) = 114.6 AMPS X 125 % MULTIPLIER* = 117.4 AMP's. TOTAL CALCULATED 150 AMP. MAIN BREAKER SIZE
 240 Volts *(continuous loads only)

NOTES:

- The ID # is intended to identify a specific circuit breaker or location inside the loadcenter.
- Circuits shall be balanced between phases as near as possible in accordance with N.E.C.

DRAFT NOT FOR CONSTRUCTION

WHITLEY MANUFACTURING INC.
 201 WEST FIRST STREET
 SOUTH WHITLEY, INDIANA 46787-0496
 260-723-5131

APPROVED
 APPROVED AS NOTED
 RETURN FOR CORRECTION

BY: _____
 DATE: _____

UPON APPROVAL, THESE DRAWINGS WILL TAKE PRECEDENCE OVER ALL PREVIOUS DRAWINGS FOR THIS PROJECT

No.	Description	Date

THIS DRAWING AND ALL INFORMATION CONTAINED HEREON IS THE PROPERTY OF WHITLEY MFG. CO. INC., AND IS NOT TO BE REPRODUCED WITHOUT THE EXPRESS PERMISSION OF WHITLEY MFG. CO., INC. WHITLEY MFG. CO. INC., ASSUMES NO RESPONSIBILITY FOR UNAUTHORIZED USE OF THIS DRAWING.

201 WEST FIRST STREET
 P.O. BOX 496
 SOUTH WHITLEY, IN 46787
 PHONE: 260.723.5131
 FAX: 260.723.6396
 www.whitleyman.com

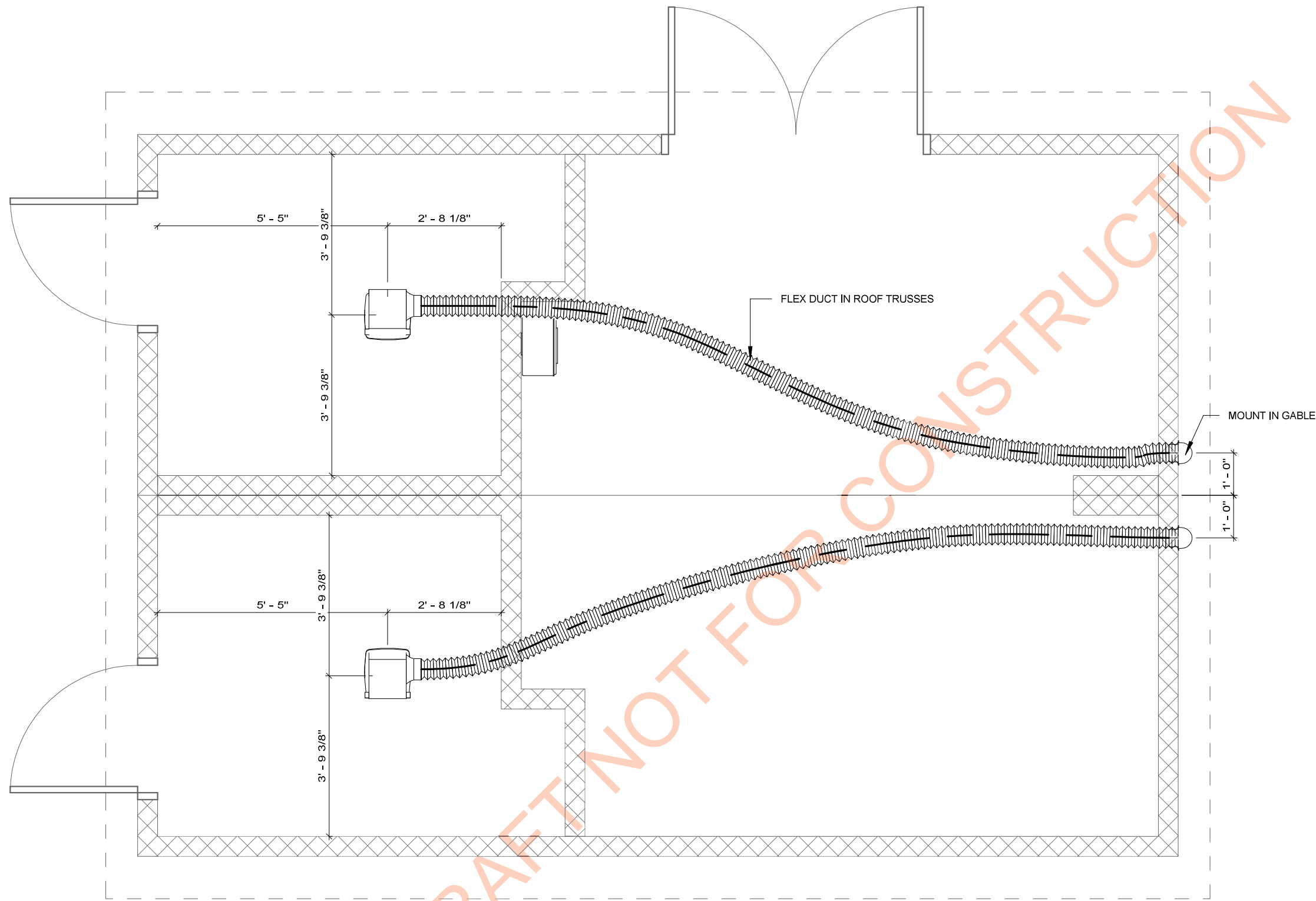
dba Modular Builders
 2756 & 3089
 E. Fort Wayne Rd.
 P.O. BOX 505
 Rochester, IN 46975
 PHONE: 574.223.4934
 FAX: 574.223.8779

WHITLEY EAST
 64 HESS ROAD
 LEOLA, PA 17540
 PHONE: 717.656.2081

Drawn By: RLH
 Checked By: LH
 Rev:

ELECTRICAL SCHEDULES
GREEN FLUSH TECHNOLOGIES
RAMSEY PARK SPLASH PAD - COALINGA, CA
26'x19' (2) 24'-6" x 8'-6" MODULES (SKID MOUNT)

Serial No. 41521-41522	Date: 2.13.26
Quote No. 50552-8 (REV2)	Scale: 3/16" = 1'-0"
Model No. 8088	Page No. E4.1
Job No. 2024-013-SW	



LEGEND	
[Symbol]	H1
[Symbol]	H3a
[Symbol]	H4
[Symbol]	H5
[Symbol]	H8
[Symbol]	H9
[Symbol]	H10
[Symbol]	H11
[Symbol]	H12
[Symbol]	J13
[Symbol]	J15
[Symbol]	J17
[Symbol]	J19
[Symbol]	J20
[Symbol]	J21
[Symbol]	J24
[Symbol]	K8

Note: Identification hexagons on the drawings and in the symbol legend correspond to the project specifications (Shts A0.1 & A0.2). The letter in the hexagon matches the specification section, the number in the hexagon matches the section number.

1 Exhaust Fan Plan
3/8" = 1'-0"

No.	Description	Date

THIS DRAWING AND ALL INFORMATION CONTAINED HEREON IS THE PROPERTY OF WHITLEY MFG. CO., INC., AND IS NOT TO BE REPRODUCED WITHOUT THE EXPRESS PERMISSION OF WHITLEY MFG. CO., INC. WHITLEY MFG. CO., INC., ASSUMES NO RESPONSIBILITY FOR UNAUTHORIZED USE OF THIS DRAWING.

201 WEST FIRST STREET
P.O. BOX 496
SOUTH WHITLEY, IN 46787
PHONE: 260.723.5131
FAX: 260.723.6396
www.whitleyman.com

dba Modular Builders
2756 & 3089
E. Fort Wayne Rd.
P.O. BOX 505
Rochester, IN 46975
PHONE: 574.223.4934
FAX: 574.223.8779

WHITLEY EAST
64 HESS ROAD
LEOLA, PA 17540
PHONE: 717.656.2081

Drawn By:
RLH
Checked By:
LH
Rev:

MECHANICAL PLAN
GREEN FLUSH TECHNOLOGIES
RAMSEY PARK SPLASH PAD - COALINGA, CA
26'x19' (2) 24'-6" x 8'-6" MODULES (SKID MOUNT)

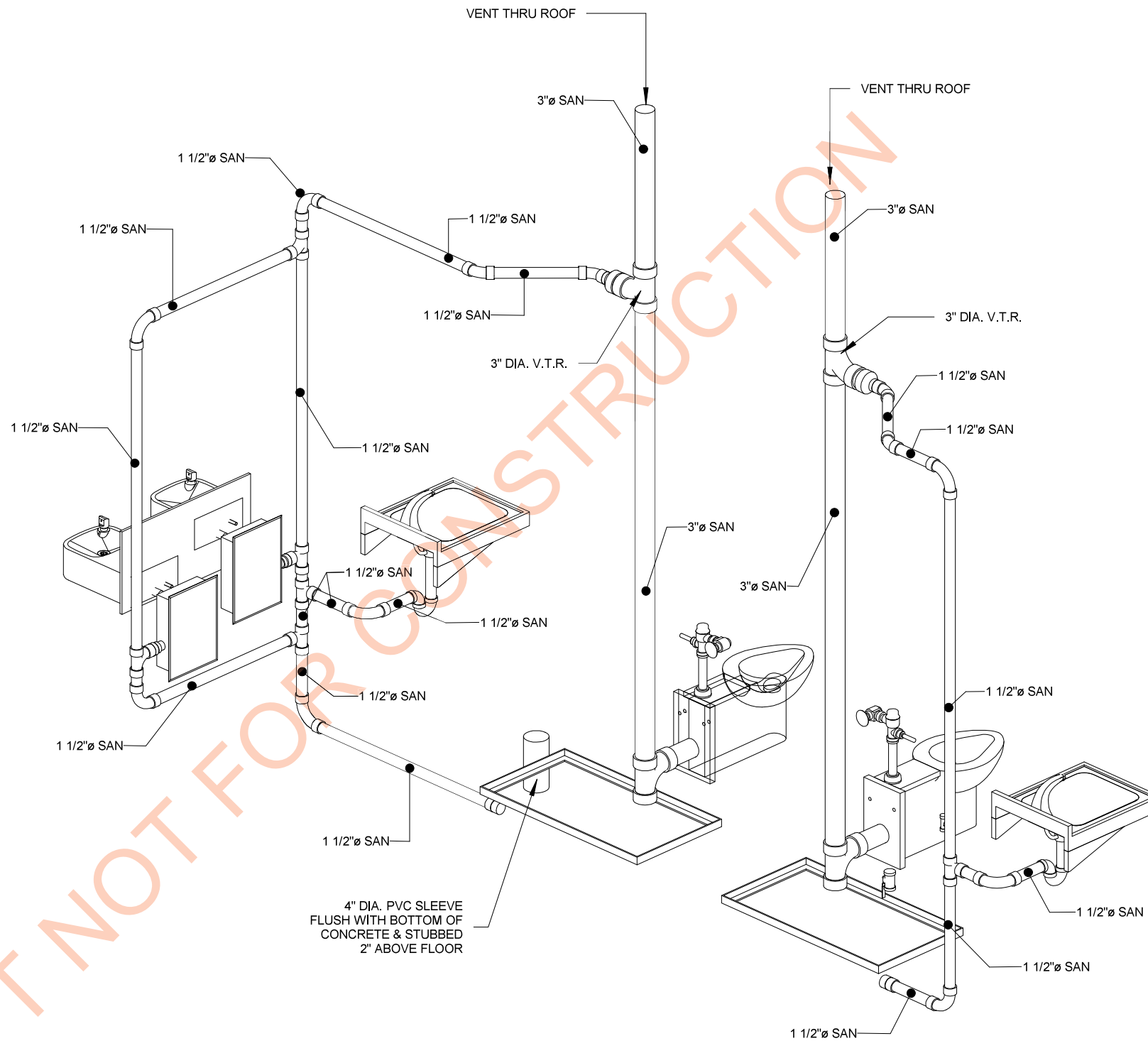
Serial No. 41521-41522	Date: 2.13.26
Quote No. 50552-8 (REV2)	Scale: As indicated
Model No. 8088	Page No. M2.1
Job No. 2024-013-SW	

DWV:

- DWV PIPING TO BE SCHEDULE 40 PVC.
- PVC PIPE TO BE SECURED @ 4'-0" O.C. HORIZONTALLY & 5'-0" O.C. VERTICALLY FOR 2" DIA. AND SMALLER PIPE OR 10'-0" O.C. VERTICALLY FOR PIPE LARGER THAN 2" DIA.
- ALL CLEAN-OUTS SHALL BE ACCESSIBLE, PROVIDED @ THE BASE OF ALL WASTE AND SOIL STACKS, AND PROVIDED SO THAT ALL HORIZONTAL PIPING CAN BE REACHED BY A CLEANOUT TOOL WITHOUT PASSING THROUGH MORE THAN 45 DEGREES OF TURN.
- HORIZONTAL BRANCH PIPES 2 1/2" AND SMALLER IN DIAMETER TO HAVE A MINIMUM 1/4" PER FOOT SLOPE; PIPES 3" TO 6" DIAMETER TO HAVE A MINIMUM OF 1/8" PER FOOT SLOPE.
- VENTS SHALL BE A MINIMUM OF 3" IN DIAMETER FOR 12" ABOVE AND 24" BELOW ROOF AND SHALL NOT BE LOCATED WITHIN 10' HORIZONTALLY OF ANY BUILDING AIR INTAKE OPENING.
- ALL VERTICAL TO HORIZONTAL OR HORIZONTAL TO HORIZONTAL CHANGE OF DIRECTION SHALL BE THROUGH A LONG TURN T-Y OR COMBINATION WYE AND EIGHTH BEND.
- ALL HORIZONTAL TO VERTICAL CHANGE OF DIRECTION SHALL BE THROUGH A SANITARY TEE, OR IF @ THE SAME LEVEL ON A VERTICAL STACK, THROUGH AN APPROVED DOUBLE FIXTURE FITTING.
- IN CONCEALED LOCATIONS AT PLUMBING PIPING, PROTECTIVE SHIELD PLATES SHALL BE INSTALLED THAT ARE A MINIMUM 1/16" THICK STEEL AND SHALL COVER THE AREA OF THE PIPE WHERE THE MEMBER IS NOTCHED OR BORED AND SHALL EXTEND A MINIMUM OF 2 INCHES ABOVE SOLE PLATES AND BELOW TOP PLATES.

FIELD NOTE:

- ALL LINES REPRESENTED BY A BROKEN LINE ON SCHEMATIC DRAWINGS SHALL BE PROVIDED AND INSTALLED ON SITE PER DEALER CONTRACTUAL AGREEMENT.



WHITLEY MANUFACTURING INC.
 201 WEST FIRST STREET
 SOUTH WHITLEY, INDIANA 46787-0496
 260-723-5131

APPROVED
 APPROVED AS NOTED
 RETURN FOR CORRECTION

BY: _____
 DATE: _____


UPON APPROVAL, THESE DRAWINGS WILL TAKE PRECEDENCE OVER ALL PREVIOUS DRAWINGS FOR THIS PROJECT

1 Plumbing Schematic DWV

DRAFT NOT FOR CONSTRUCTION

No.	Description	Date

THIS DRAWING AND ALL INFORMATION CONTAINED HEREON IS THE PROPERTY OF WHITLEY MFG. CO., INC., AND IS NOT TO BE REPRODUCED WITHOUT THE EXPRESS PERMISSION OF WHITLEY MFG. CO., INC. ASSUMES NO RESPONSIBILITY FOR UNAUTHORIZED USE OF THIS DRAWING.



201 WEST FIRST STREET
 P.O. BOX 496
 SOUTH WHITLEY, IN 46787
 PHONE: 260.723.5131
 FAX: 260.723.6396
 www.whitleyman.com

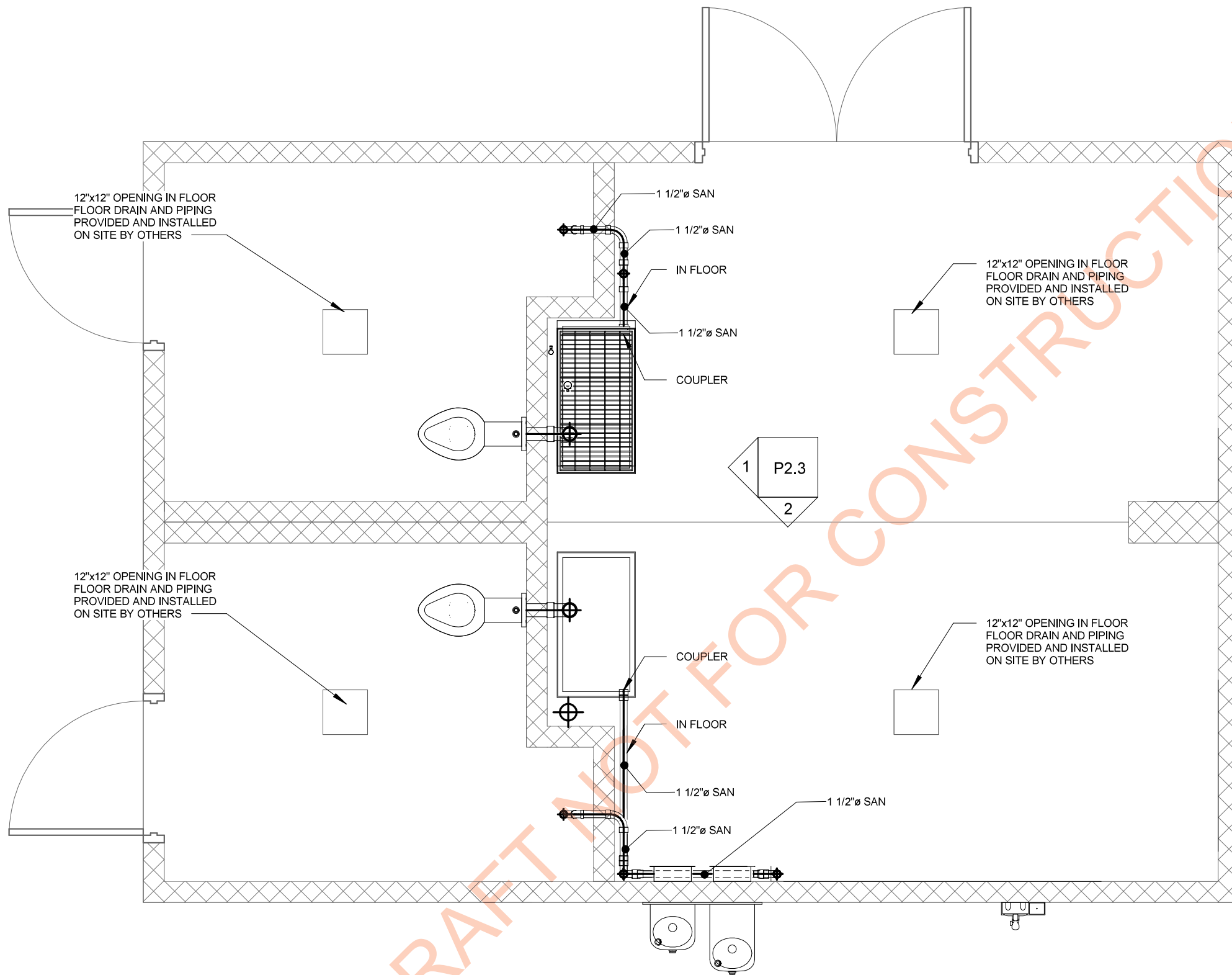
dba Modular Builders
 2756 & 3089
 E. Fort Wayne Rd.
 P.O. BOX 505
 Rochester, IN 46975
 PHONE: 574.223.4934
 FAX: 574.223.8779

WHITLEY EAST
 64 HESS ROAD
 LEOLA, PA 17540
 PHONE: 717.656.2081

Drawn By:
 RLH
 Checked By:
 LH
 Rev:

SANITARY & VENTING SCHEMATIC
GREEN FLUSH TECHNOLOGIES
 RAMSEY PARK SPLASH PAD - COALINGA, CA
 26'x19' (2) 24'-6" x 8'-6" MODULES (SKID MOUNT)

Serial No. 41521-41522	Date: 2.13.26
Quote No. 50552-8 (REV2)	Scale: 3/16" = 1'-0"
Model No. 8088	Page No. P2.1
Job No. 2024-013-SW	



DRAFT NOT FOR CONSTRUCTION

1 Sanitary & Vent Plan
3/8" = 1'-0"

WHITLEY MANUFACTURING INC.
 201 WEST FIRST STREET
 SOUTH WHITLEY, INDIANA 46787-0496
 260-723-5131

APPROVED
 APPROVED AS NOTED
 RETURN FOR CORRECTION

BY: _____

DATE: _____

UPON APPROVAL, THESE DRAWINGS WILL TAKE PRECEDENCE OVER ALL PREVIOUS DRAWINGS FOR THIS PROJECT

No.	Description	Date

THIS DRAWING AND ALL INFORMATION CONTAINED HEREON IS THE PROPERTY OF WHITLEY MFG. CO. INC., AND IS NOT TO BE REPRODUCED WITHOUT THE EXPRESS PERMISSION OF WHITLEY MFG. CO., INC. WHITLEY MFG. CO. INC. ASSUMES NO RESPONSIBILITY FOR UNAUTHORIZED USE OF THIS DRAWING.

201 WEST FIRST STREET
 P.O. BOX 496
 SOUTH WHITLEY, IN 46787
 PHONE: 260.723.5131
 FAX: 260.723.6396
 www.whitleyman.com

dba Modular Builders
 2756 & 3089
 E. Fort Wayne Rd.
 P.O. BOX 505
 Rochester, IN 46975
 PHONE: 574.223.4934
 FAX: 574.223.8779

WHITLEY EAST
 64 HESS ROAD
 LEOLA, PA 17540
 PHONE: 717.656.2081

Drawn By:
RLH
 Checked By:
LH
 Rev:

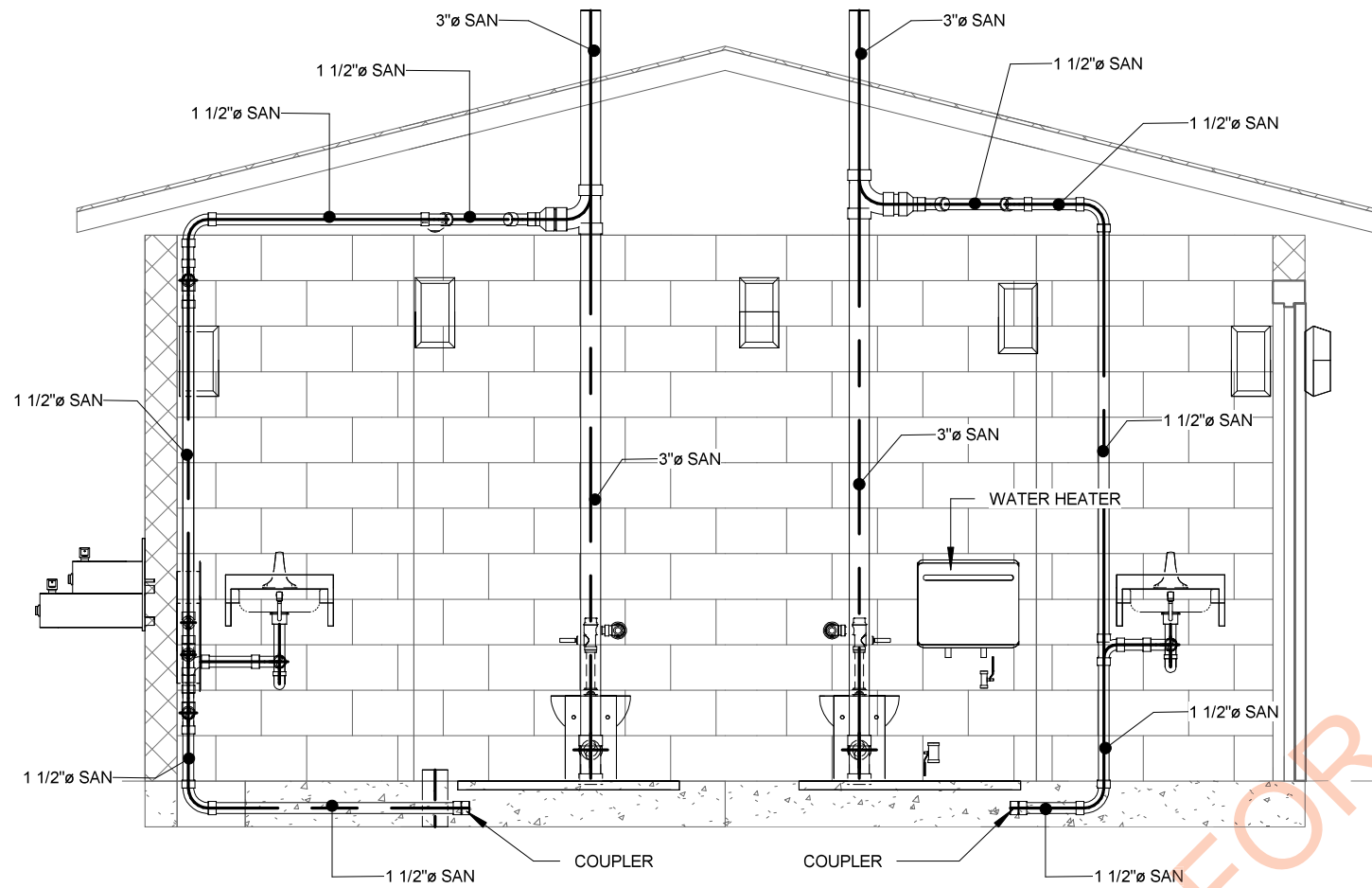
Sanitary & Venting Plan

GREEN FLUSH TECHNOLOGIES

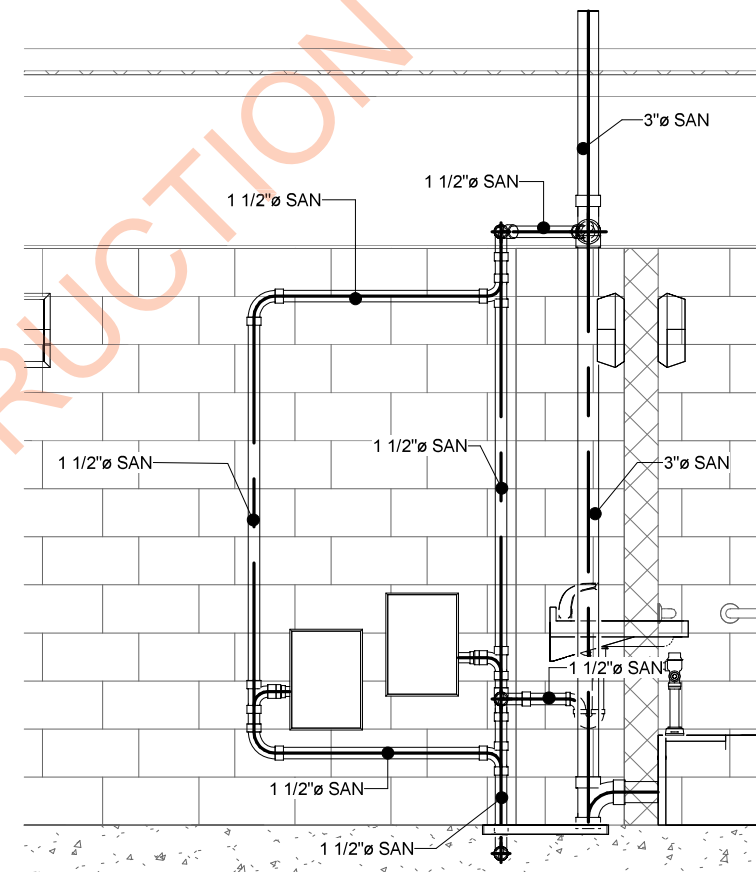
RAMSEY PARK SPLASH PAD - COALINGA, CA

26'x19' (2) 24'-6" x 8'-6" MODULES (SKID MOUNT)

Serial No. 41521-41522	Date: 2.13.26
Quote No. 50552-8(REV2)	Scale: As indicated
Model No. 8088	Page No. P2.2
Job No. 2024-013-SW	



① Elevation
3/8" = 1'-0"



② Elevation.
3/8" = 1'-0"

DRAFT NOT FOR CONSTRUCTION

WHITLEY MANUFACTURING INC.
 201 WEST FIRST STREET
 SOUTH WHITLEY, INDIANA 46787-0496
 260-723-5131

APPROVED
 APPROVED AS NOTED
 RETURN FOR CORRECTION

BY: _____
 DATE: _____

UPON APPROVAL, THESE DRAWINGS WILL TAKE PRECEDENCE OVER ALL PREVIOUS DRAWINGS FOR THIS PROJECT

No.	Description	Date

THIS DRAWING AND ALL INFORMATION CONTAINED HEREON IS THE PROPERTY OF WHITLEY MFG. CO., INC., AND IS NOT TO BE REPRODUCED WITHOUT THE EXPRESS PERMISSION OF WHITLEY MFG. CO., INC. WHITLEY MFG. CO., INC., ASSUMES NO RESPONSIBILITY FOR UNAUTHORIZED USE OF THIS DRAWING.

201 WEST FIRST STREET
 P.O. BOX 496
 SOUTH WHITLEY, IN 46787
 PHONE: 260.723.5131
 FAX: 260.723.6396
 www.whitleyman.com

dba Modular Builders
 2756 & 3089
 E. Fort Wayne Rd.
 P.O. BOX 505
 Rochester, IN 46975
 PHONE: 574.223.4934
 FAX: 574.223.8779

WHITLEY EAST
 64 HESS ROAD
 LEOLA, PA 17540
 PHONE: 717.656.2081

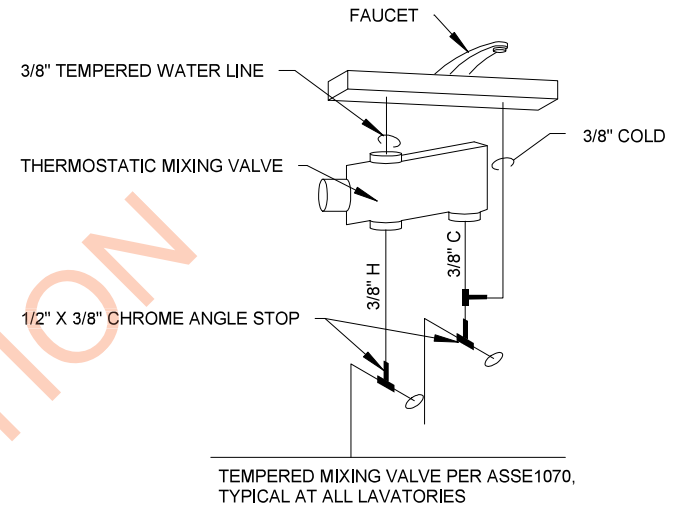
Drawn By:
RLH
 Checked By:
LH
 Rev:

SANITARY & VENTING ELEVATIONS
GREEN FLUSH TECHNOLOGIES
 RAMSEY PARK SPLASH PAD - COALINGA, CA
 26'x19' (2) 24'-6" x 8'-6" MODULES (SKID MOUNT)

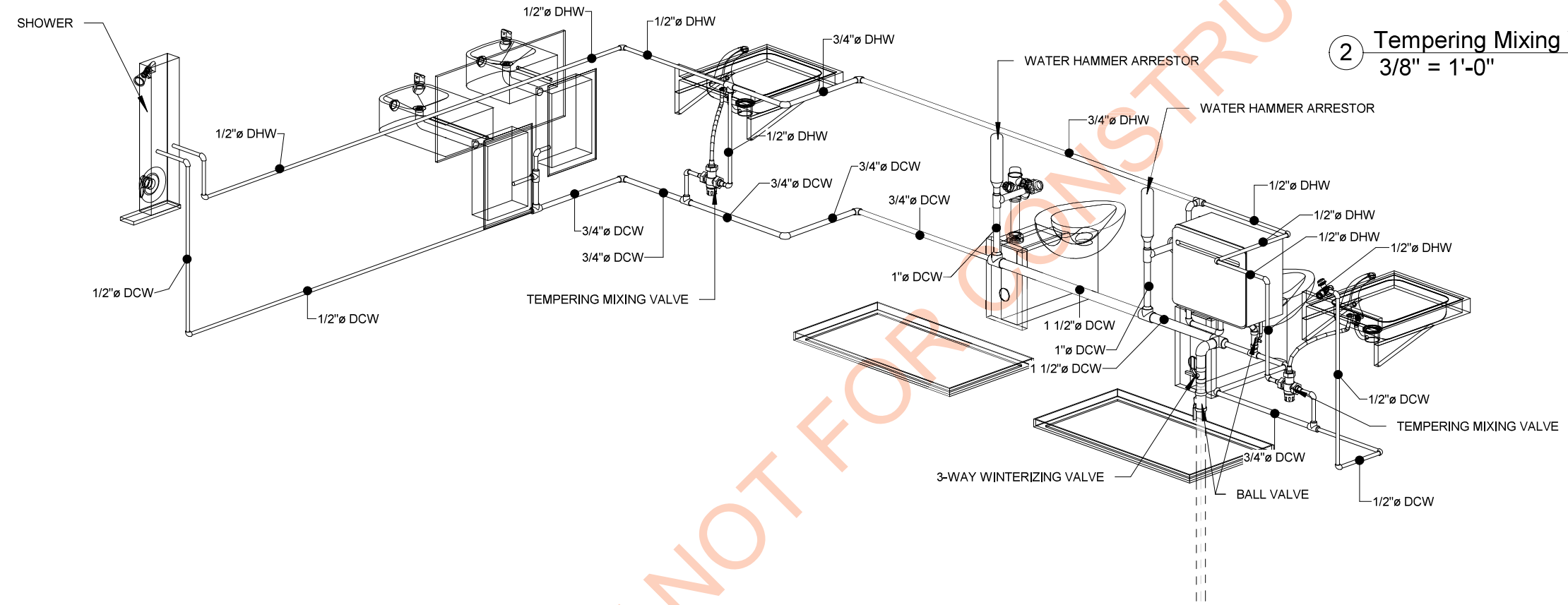
Serial No. 41521-41522	Date: 2.13.26
Quote No. 50552-8 (REV2)	Scale: As indicated
Model No. 8088	Page No. P2.3
Job No. 2024-013-SW	

SUPPLY:

1. WATER SUPPLY LINES TO BE PEX.
2. PEX PIPE 1" DIA., OR SMALLER, TO BE SECURED @ 2'-8" O.C. HORIZONTALLY.
PEX PIPE 2" DIA., OR SMALLER, TO BE SECURED @ 5'-0" O.C. VERTICALLY.
PEX PIPE LARGER THAN 2" DIA. TO BE SECURED @ 10'-0" O.C. VERTICALLY.
4. A SHUT-OFF VALVE IS REQUIRED FOR EACH FIXTURE.
5. WATER HAMMER ARRESTORS SHALL BE PROVIDED AS REQUIRED WITH QUICK-CLOSING VALVES.
8. COLD WATER INLET TO HAVE A 3-WAY WINTERIZING SHUT-OFF VALVE ABOVE FLOOR.
9. FULL SIZE SHUT-OFF VALVE TO BE PROVIDED BETWEEN BUILDING & WATER MAIN (METER).
10. SUPPLY SYSTEM DESIGNED FOR INLET PRESSURES OF 60 TO 80 PSI.
12. IN CONCEALED LOCATIONS AT PLUMBING PIPING, PROTECTIVE SHIELD PLATES SHALL BE INSTALLED THAT ARE A MINIMUM 1/16" THICK STEEL AND SHALL COVER THE AREA OF THE PIPE WHERE THE MEMBER IS NOTCHED OR BORED AND SHALL EXTEND A MINIMUM OF 2 INCHES ABOVE SOLE PLATES AND BELOW TOP PLATES.



② Tempering Mixing Valve Detail
3/8" = 1'-0"



DRAFT NOT FOR CONSTRUCTION

WHITLEY MANUFACTURING INC.
 201 WEST FIRST STREET
 SOUTH WHITLEY, INDIANA 46787-0496
 260-723-5131

APPROVED
 APPROVED AS NOTED
 RETURN FOR CORRECTION

BY: _____

DATE: _____

UPON APPROVAL, THESE DRAWINGS WILL TAKE PRECEDENCE OVER ALL PREVIOUS DRAWINGS FOR THIS PROJECT

No.	Description	Date

THIS DRAWING AND ALL INFORMATION CONTAINED HEREON IS THE PROPERTY OF WHITLEY MFG. CO., INC., AND IS NOT TO BE REPRODUCED WITHOUT THE EXPRESS PERMISSION OF WHITLEY MFG. CO., INC. ASSUMES NO RESPONSIBILITY FOR UNAUTHORIZED USE OF THIS DRAWING.



201 WEST FIRST STREET
 P.O. BOX 496
 SOUTH WHITLEY, IN 46787
 PHONE: 260.723.5131
 FAX: 260.723.6396
 www.whitleyman.com

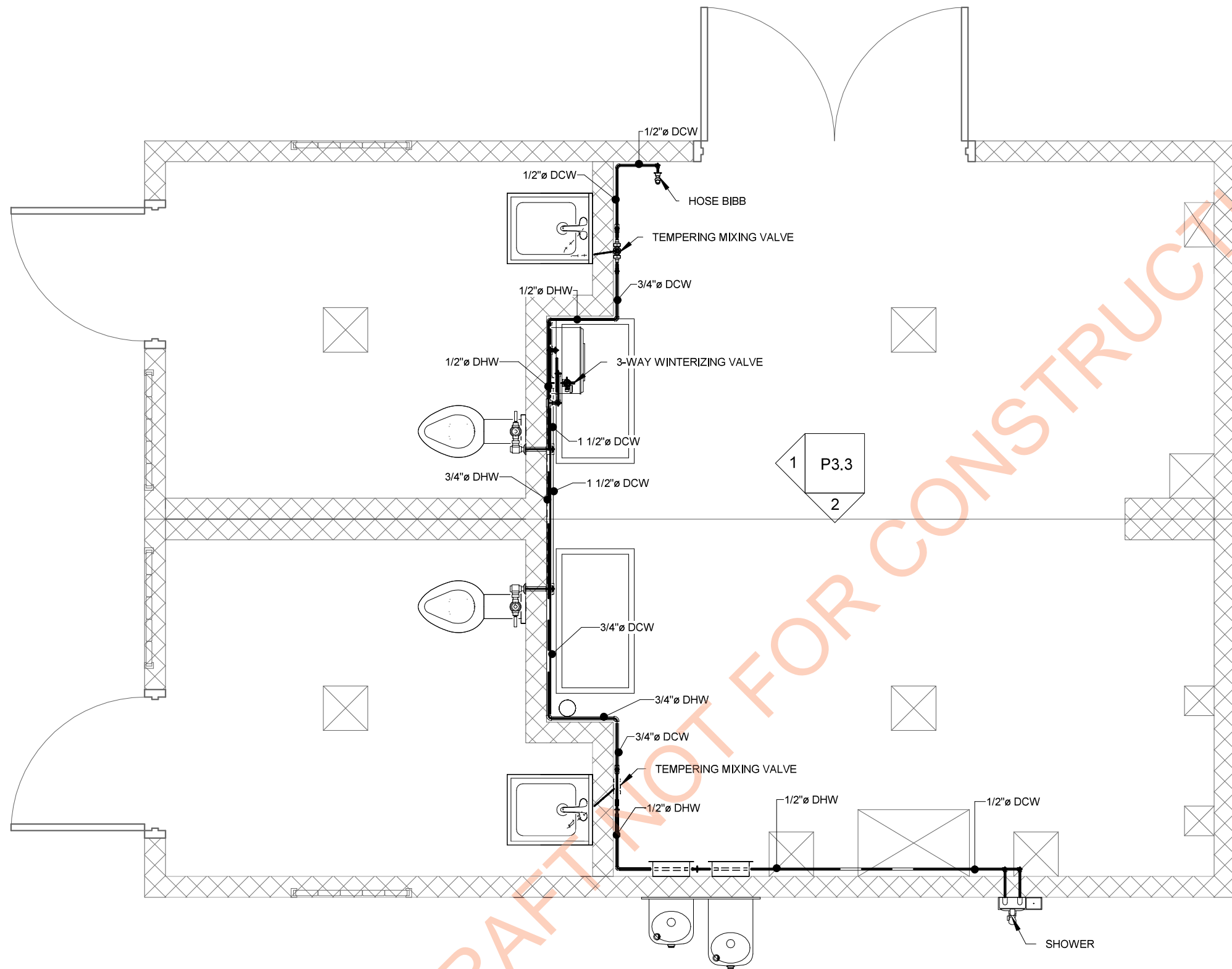
dba Modular Builders
 2756 & 3089
 E. Fort Wayne Rd.
 P.O. BOX 505
 Rochester, IN 46975
 PHONE: 574.223.4934
 FAX: 574.223.8779

WHITLEY EAST
 64 HESS ROAD
 LEOLA, PA 17540
 PHONE: 717.656.2081

Drawn By:
RLH
 Checked By:
LH
 Rev:

WATER SUPPLY SCHEMATIC
GREEN FLUSH TECHNOLOGIES
RAMSEY PARK SPLASH PAD - COALINGA, CA
 26'x19' (2) 24'-6" x 8'-6" MODULES (SKID MOUNT)

Serial No. 41521-41522	Date: 2.13.26
Quote No. 50552-8 (REV2)	Scale: As indicated
Model No. 8088	Page No. P3.1
Job No. 2024-013-SW	



1 Water Supply Plan
3/8" = 1'-0"

WHITLEY MANUFACTURING INC.
201 WEST FIRST STREET
SOUTH WHITLEY, INDIANA 46787-0496
260-723-5131

APPROVED
 APPROVED AS NOTED
 RETURN FOR CORRECTION

BY: _____
DATE: _____

UPON APPROVAL, THESE DRAWINGS WILL TAKE PRECEDENCE OVER ALL PREVIOUS DRAWINGS FOR THIS PROJECT

No.	Description	Date

THIS DRAWING AND ALL INFORMATION CONTAINED HEREON IS THE PROPERTY OF WHITLEY MFG. CO., INC., AND IS NOT TO BE REPRODUCED WITHOUT THE EXPRESS PERMISSION OF WHITLEY MFG. CO., INC. WHITLEY MFG. CO., INC., ASSUMES NO RESPONSIBILITY FOR UNAUTHORIZED USE OF THIS DRAWING.



201 WEST FIRST STREET
P.O. BOX 496
SOUTH WHITLEY, IN 46787
PHONE: 260.723.5131
FAX: 260.723.6396
www.whitleyman.com

dba Modular Builders
2756 & 3089
E. Fort Wayne Rd.
P.O. BOX 505
Rochester, IN 46975
PHONE: 574.223.4934
FAX: 574.223.8779

WHITLEY EAST
64 HESS ROAD
LEOLA, PA 17540
PHONE: 717.656.2081

Drawn By:
RLH
Checked By:
LH
Rev:

WATER SUPPLY PLAN
GREEN FLUSH TECHNOLOGIES
RAMSEY PARK SPLASH PAD - COALINGA, CA
26'x19' (2) 24'-6" x 8'-6" MODULES (SKID MOUNT)

Serial No.
41521-41522

Quote No.
50552-8(REV2)

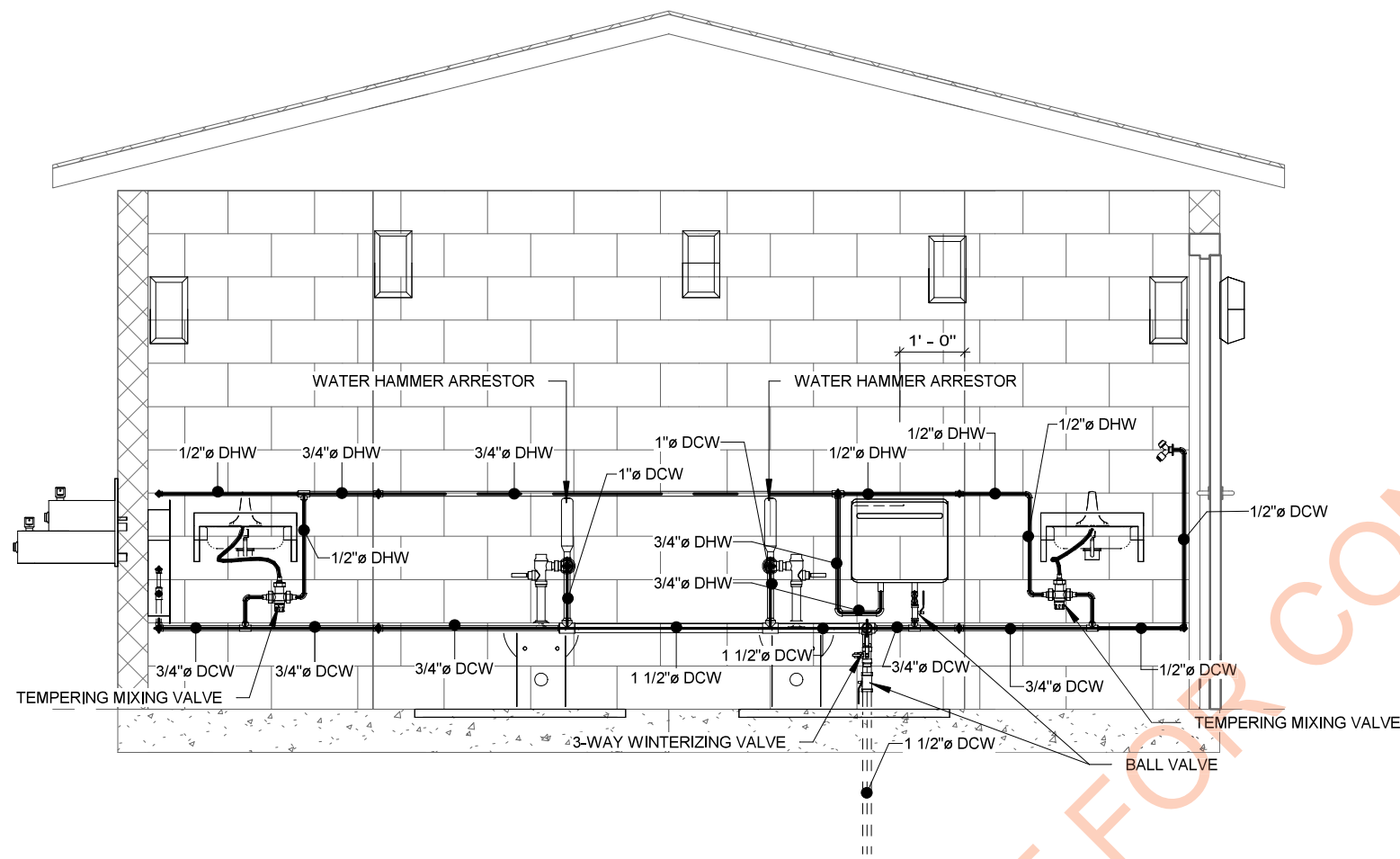
Model No.
8088

Job No.
2024-013-SW

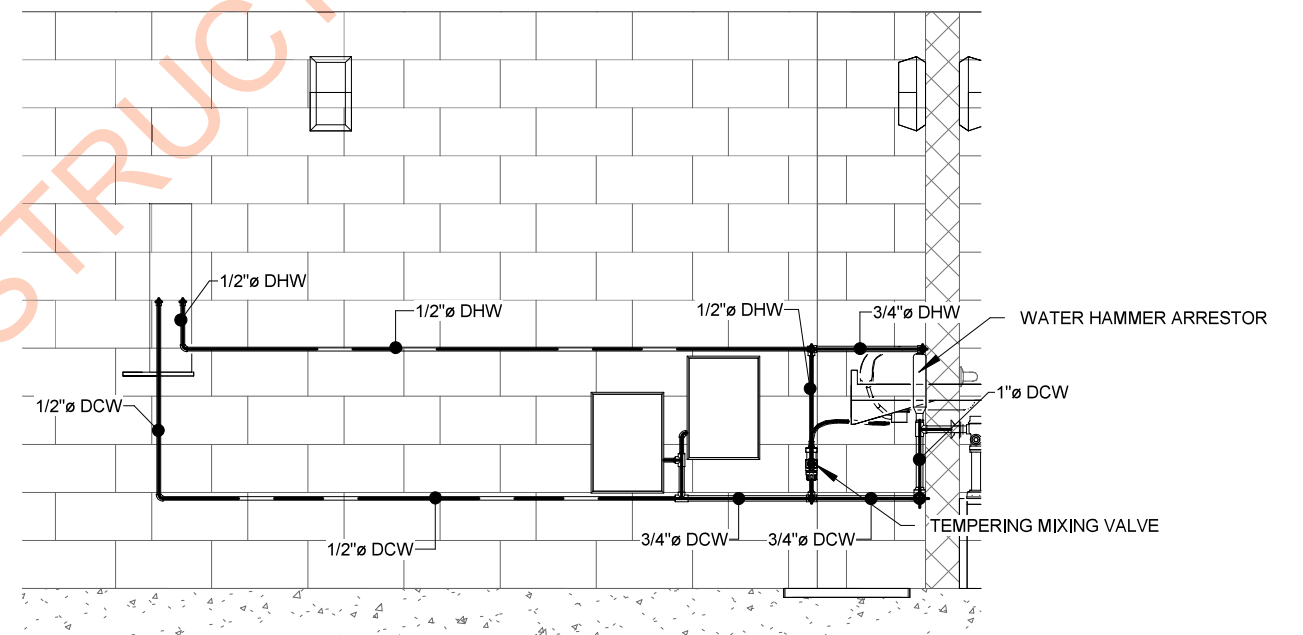
Date:
2.13.26

Scale:
As indicated

Page No.
P3.2



1 Elevation..
3/8" = 1'-0"



2 Elevation..
3/8" = 1'-0"

DRAFT NOT FOR CONSTRUCTION

WHITLEY MANUFACTURING INC.
 201 WEST FIRST STREET
 SOUTH WHITLEY, INDIANA 46787-0496
 260-723-5131

APPROVED
 APPROVED AS NOTED
 RETURN FOR CORRECTION

BY: _____

DATE: _____

UPON APPROVAL, THESE DRAWINGS WILL TAKE PRECEDENCE OVER ALL PREVIOUS DRAWINGS FOR THIS PROJECT

No.	Description	Date

THIS DRAWING AND ALL INFORMATION CONTAINED HEREON IS THE PROPERTY OF WHITLEY MFG. CO. INC., AND IS NOT TO BE REPRODUCED WITHOUT THE EXPRESS PERMISSION OF WHITLEY MFG. CO., INC. WHITLEY MFG. CO. INC., ASSUMES NO RESPONSIBILITY FOR UNAUTHORIZED USE OF THIS DRAWING.

201 WEST FIRST STREET
 P.O. BOX 496
 SOUTH WHITLEY, IN 46787
 PHONE: 260.723.5131
 FAX: 260.723.6396
 www.whitleyman.com

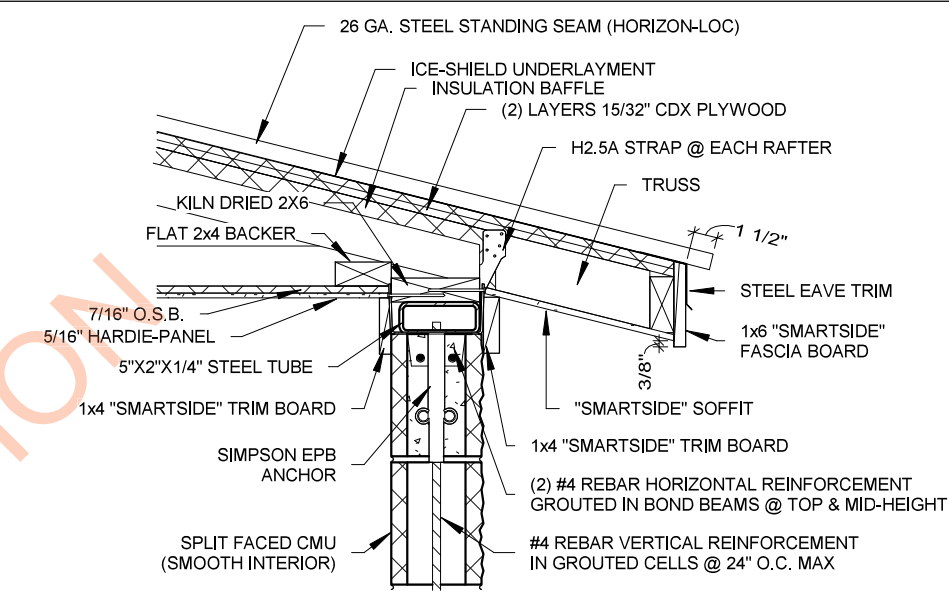
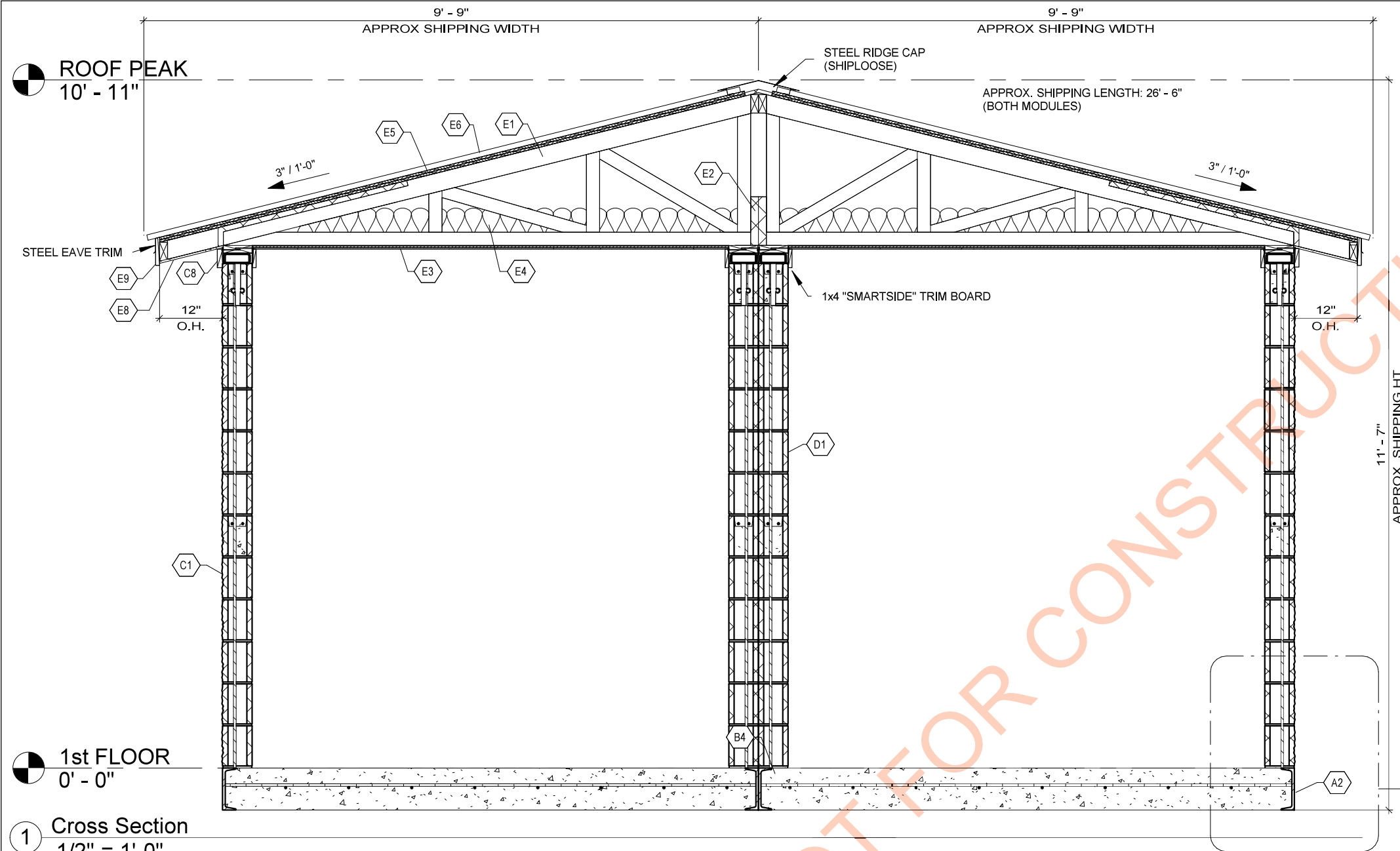
dba Modular Builders
 2756 & 3089
 E. Fort Wayne Rd.
 P.O. BOX 505
 Rochester, IN 46975
 PHONE: 574.223.4934
 FAX: 574.223.8779

WHITLEY EAST
 64 HESS ROAD
 LEOLA, PA 17540
 PHONE: 717.656.2081

Drawn By:
RLH
 Checked By:
LH
 Rev:

WATER SUPPLY PLAN ELEVATIONS
GREEN FLUSH TECHNOLOGIES
RAMSEY PARK SPLASH PAD - COALINGA, CA
 26'x19' (2) 24'-6" x 8'-6" MODULES (SKID MOUNT)

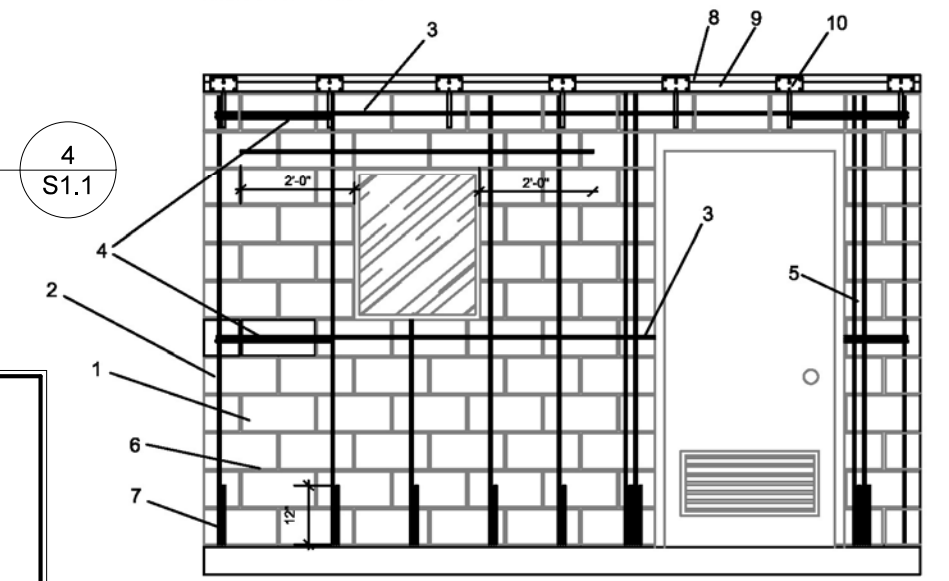
Serial No. 41521-41522	Date: 2.13.26
Quote No. 50552-8(REV2)	Scale: As indicated
Model No. 8088	Page No. P3.3
Job No. 2024-013-SW	



2 Side Wall Roof Overhang
1" = 1'-0"

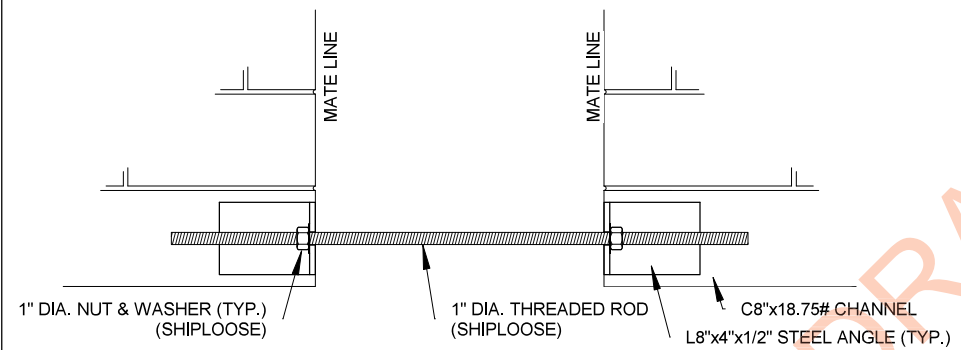
NOTE: FASCIA TRIM BOARD TO HANG DOWN MIN 3/8" BELOW SOFFIT AROUND ENTIRE PERIMETER OF BUILDING

1. 6" x 8" x 16" CMU BLOCK WALLS. GROUT ONLY CELLS WITH REBAR.
 2. #4 VERT. BARS IN GROUDED CELLS @ 24" O.C. MAX & AT ALL WALL INTERSECTIONS
 3. TWO #4 BARS AT MID HEIGHT & TOP OF WALL IN GROUDED BOND BEAMS
 4. 18" X 18" #4 BENT BARS @ MID HEIGHT & TOP OF WALL BOND BEAMS
 5. TWO #4 VERT. BARS @ SIDES OF DOORS & WINDOWS AND IN BOND BEAMS ABOVE WINDOWS
 6. HORIZ. DURAWIRE @ 16" O.C.
 7. #4 REBAR @ 24" MAX. WELD TO TOP OF FLOOR FRAME, OR DRILL & EPOXY 5" INTO FLOOR SLAB
 8. 2X6 KILN DRIED SILL PLATE, SEE DETAIL
 9. CONT. 5X2X1/4 T.S. WELD @ ALL WALL INTERSECTIONS
 10. SIMPSON STRONG-TIE EPB86 @ NOMINAL 32" O.C.
- ALL REBAR TO BE GRADE 60

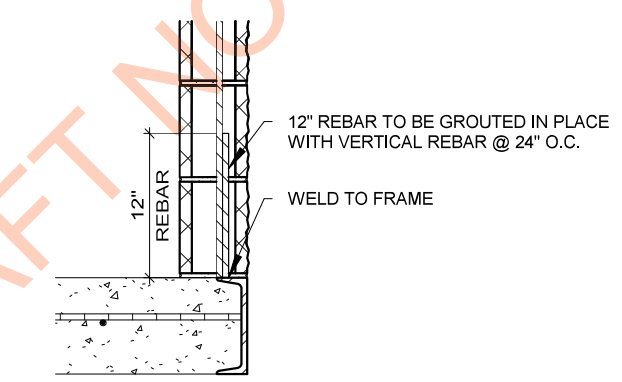


6" CMU WALL, TYP. DETAILS N.T.S.

1 Cross Section
1/2" = 1'-0"



3 Module Connection Detail
3/4" = 1'-0"



4 Cross Section - Callout 1
3/4" = 1'-0"

WHITLEY MANUFACTURING INC.
201 WEST FIRST STREET
SOUTH WHITLEY, INDIANA 46787-0496
260-723-5131

APPROVED
APPROVED AS NOTED
RETURN FOR CORRECTION

BY: _____
DATE: _____

UPON APPROVAL, THESE DRAWINGS WILL TAKE PRECEDENCE OVER ALL PREVIOUS DRAWINGS FOR THIS PROJECT

No.	Description	Date

THIS DRAWING AND ALL INFORMATION CONTAINED HEREON IS THE PROPERTY OF WHITLEY MFG. CO. INC., AND IS NOT TO BE REPRODUCED WITHOUT THE EXPRESS PERMISSION OF WHITLEY MFG. CO., INC. WHITLEY MFG. CO. INC., ASSUMES NO RESPONSIBILITY FOR UNAUTHORIZED USE OF THIS DRAWING.



201 WEST FIRST STREET
P.O. BOX 496
SOUTH WHITLEY, IN 46787
PHONE: 260.723.5131
FAX: 260.723.6396
www.whitleyman.com

dba Modular Builders
2756 & 3089
E. Fort Wayne Rd.
P.O. BOX 505
Rochester, IN 46975
PHONE: 574.223.4934
FAX: 574.223.8779

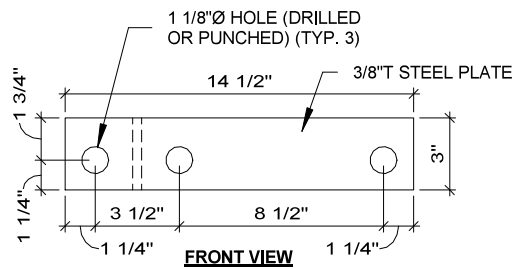
WHITLEY EAST
64 HESS ROAD
LEOLA, PA 17540
PHONE: 717.656.2081

Drawn By:
RLH
Checked By:
LH
Rev:

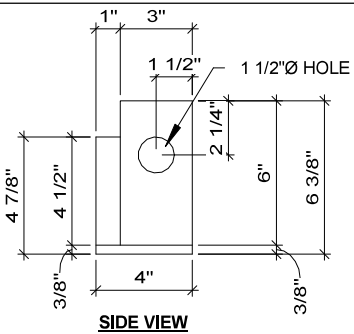
CROSS SECTION
GREEN FLUSH TECHNOLOGIES
RAMSEY PARK SPLASH PAD - COALINGA, CA
26'x19' (2) 24'-6" x 8'-6" MODULES (SKID MOUNT)

Serial No. 41521-41522	Date: 2.13.26
Quote No. 50552-8 (REV2)	Scale: As indicated
Model No. 8088	Page No. S1.1
Job No. 2024-013-SW	

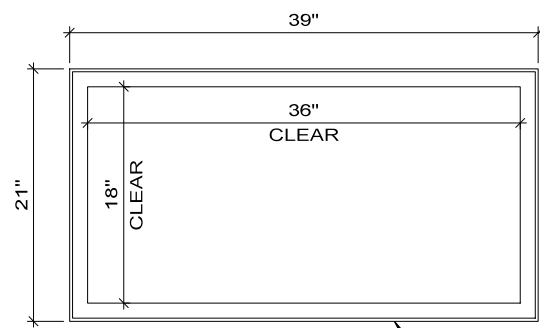
3/2/2026 8:51:11 AM



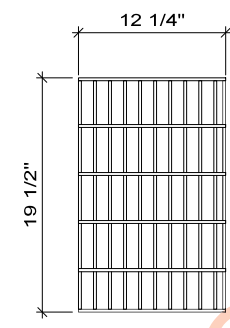
1 Lifting Lug Anchor Detail
1 1/2" = 1'-0"



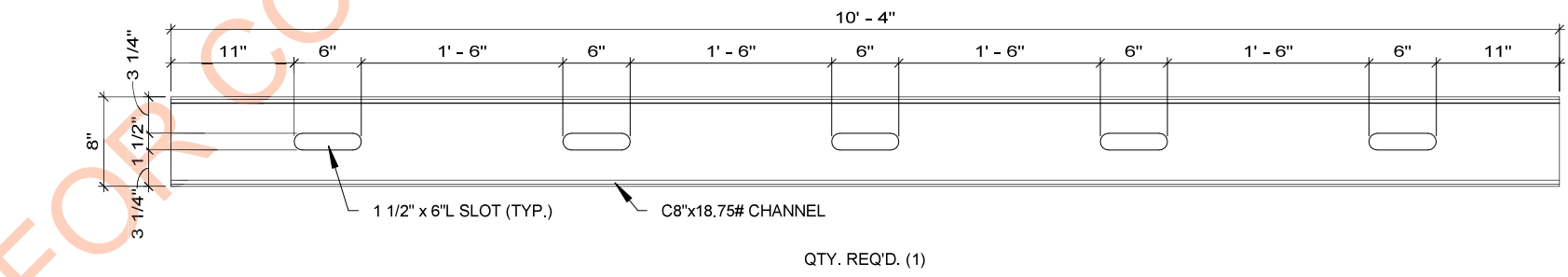
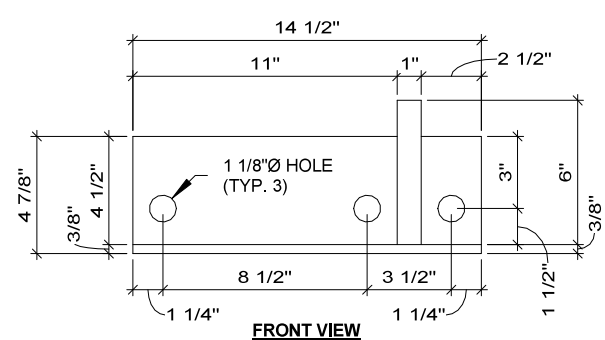
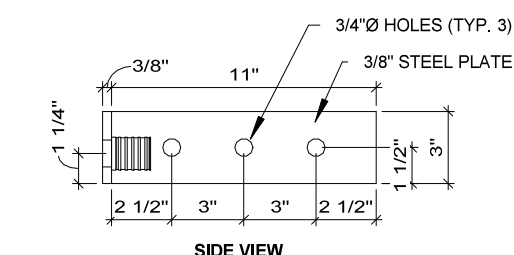
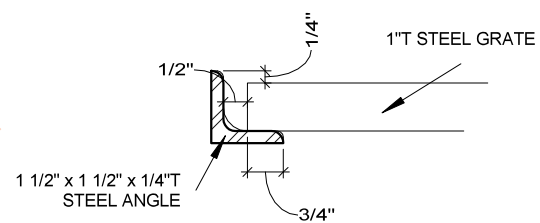
2 Lifting Lug Detail
1 1/2" = 1'-0"



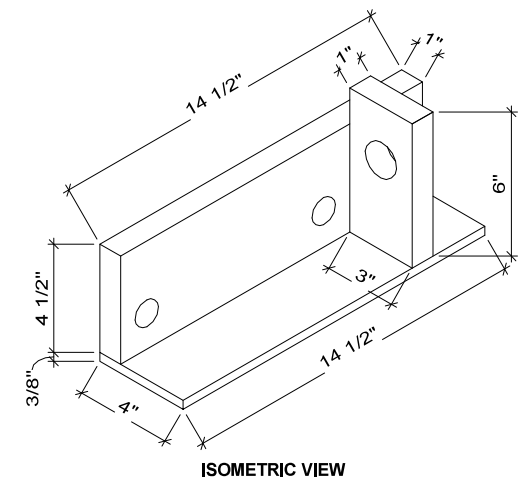
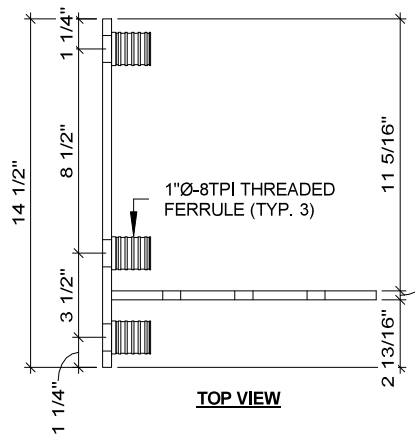
4 Floor Grate Details
3/4" = 1'-0"



5 Floor Grate Section View
3" = 1'-0"



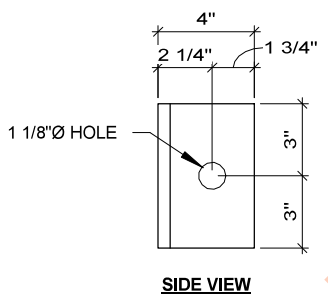
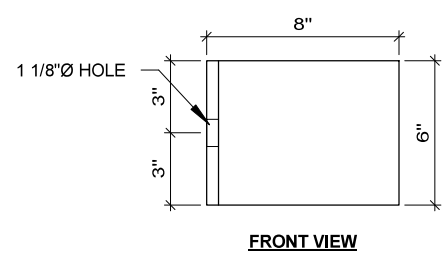
6 C8"x18.75# Reinforcement Slot Detail
3/4" = 1'-0"



1 Lifting Lug Anchor Detail
1 1/2" = 1'-0"

2 Lifting Lug Detail
1 1/2" = 1'-0"

6 C8"x18.75# Reinforcement Slot Detail
3/4" = 1'-0"



SHIPLOOSE
(3) 1"-14 THREAD SIZE HIGH STRENGTH STEEL THREADED RODS 2
2 FOOT LONG CONFORMING TO ASTM S354 GRADE BD.
(8) 18-8 STAINLESS STEEL HEX NUTS 1-14 THREAD SIZE,
ASTM F594 WITH OVERSIZED WASHERS

3 L8"x4"x1/2" Steel Angle Detail
1 1/2" = 1'-0"

WHITLEY MANUFACTURING INC.
201 WEST FIRST STREET
SOUTH WHITLEY, INDIANA 46787-0496
260-723-5131

APPROVED
APPROVED AS NOTED
RETURN FOR CORRECTION

BY: _____
DATE: _____

UPON APPROVAL, THESE DRAWINGS WILL
TAKE PRECEDENCE OVER ALL PREVIOUS
DRAWINGS FOR THIS PROJECT

No.	Description	Date

THIS DRAWING AND ALL INFORMATION CONTAINED HEREON IS THE PROPERTY OF WHITLEY MFG. CO., INC., AND IS NOT TO BE REPRODUCED WITHOUT THE EXPRESS PERMISSION OF WHITLEY MFG. CO., INC. WHITLEY MFG. CO., INC., ASSUMES NO RESPONSIBILITY FOR UNAUTHORIZED USE OF THIS DRAWING.



201 WEST FIRST STREET
P.O. BOX 496
SOUTH WHITLEY, IN 46787
PHONE: 260.723.5131
FAX: 260.723.6396
www.whitleyman.com

dba Modular Builders
2756 & 3089
E. Fort Wayne Rd.
P.O. BOX 505
Rochester, IN 46975
PHONE: 574.223.4934
FAX: 574.223.8779

WHITLEY EAST
64 HESS ROAD
LEOLA, PA 17540
PHONE: 717.656.2081

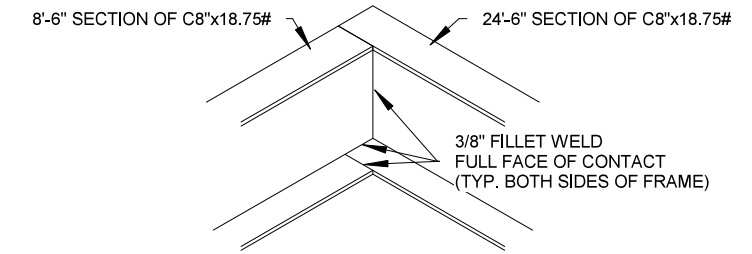
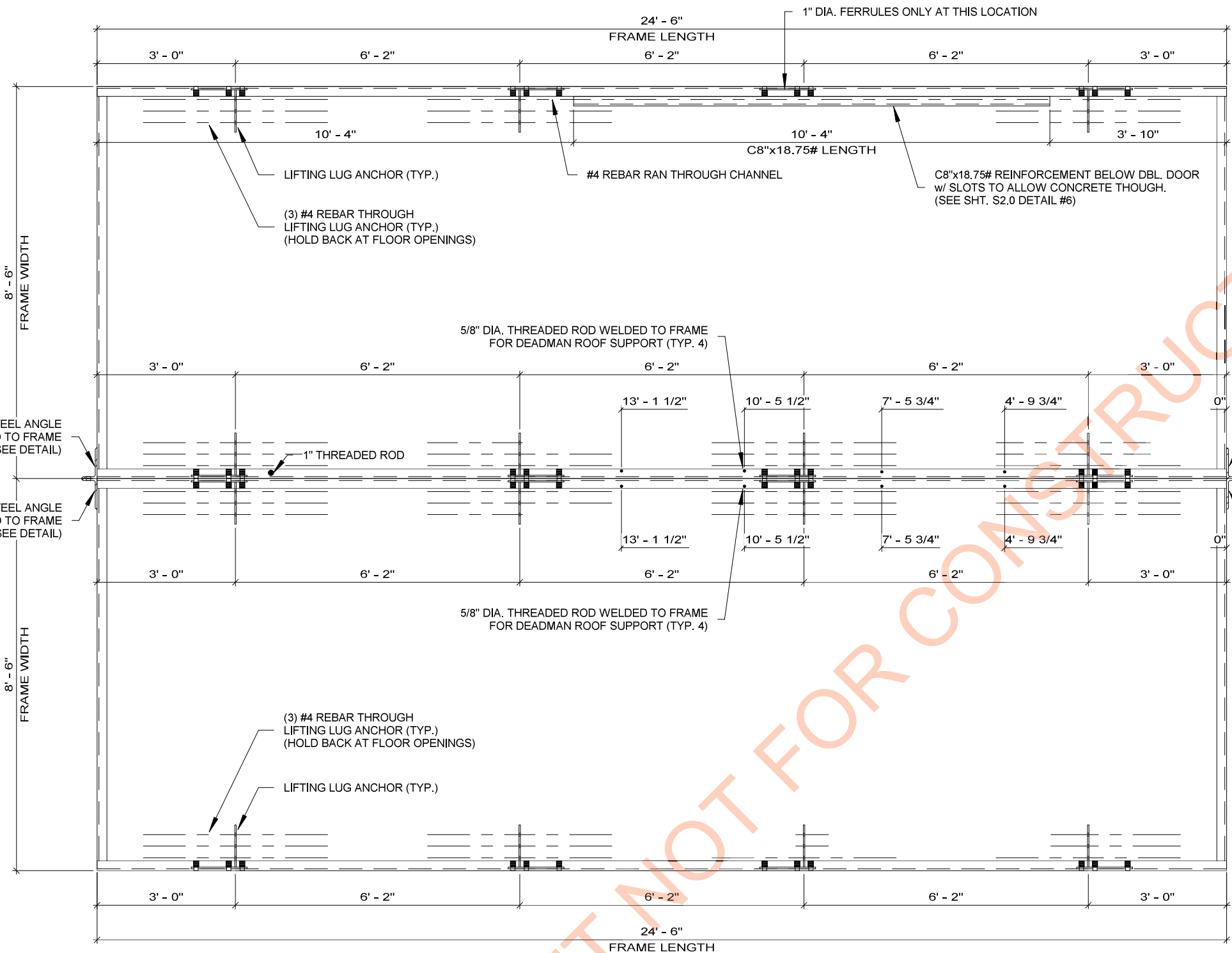
Drawn By:
RLH
Checked By:
LH
Rev:

STEEL FABRICATION DETAILS
GREEN FLUSH TECHNOLOGIES
RAMSEY PARK SPLASH PAD - COALINGA, CA
26'x19' (2) 24'-6" x 8'-6" MODULES (SKID MOUNT)

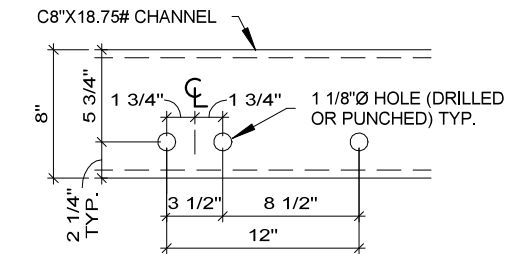
Serial No. 41521-41522	Date: 2.13.26
Quote No. 50552-8 (REV2)	Scale: As indicated
Model No. 8088	Page No. S2.0
Job No. 2024-013-SW	

MOD. #1

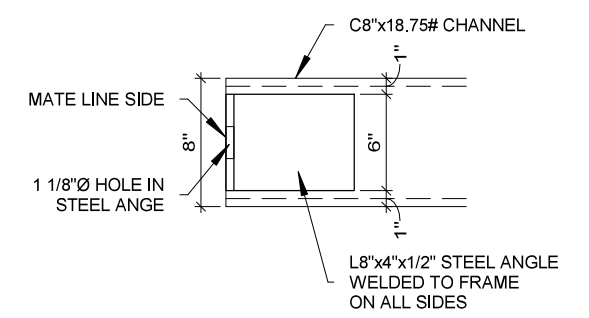
MOD. #2



② C8"x18.75# Weld Detail
1" = 1'-0"

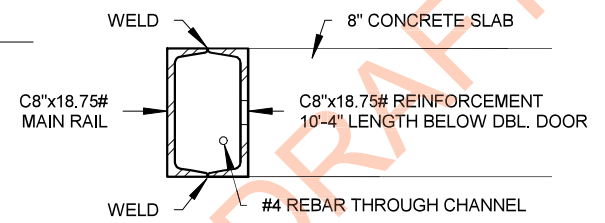


③ Lifting Lug Hole Detail
1" = 1'-0"




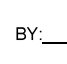
④ L8"x4"x1/2" Steel Angle Location
1" = 1'-0"

① Frame Plan
3/8" = 1'-0"



⑤ C8"x18.75# Reinforcement Section
1" = 1'-0"

WHITLEY MANUFACTURING INC.
201 WEST FIRST STREET
SOUTH WHITLEY, INDIANA 46787-0496
260-723-5131

 APPROVED
 APPROVED AS NOTED
 RETURN FOR CORRECTION

BY: _____
DATE: _____

UPON APPROVAL, THESE DRAWINGS WILL TAKE PRECEDENCE OVER ALL PREVIOUS DRAWINGS FOR THIS PROJECT

No.	Description	Date

THIS DRAWING AND ALL INFORMATION CONTAINED HEREON IS THE PROPERTY OF WHITLEY MFG. CO. INC., AND IS NOT TO BE REPRODUCED WITHOUT THE EXPRESS PERMISSION OF WHITLEY MFG. CO., INC. WHITLEY MFG. CO. INC., ASSUMES NO RESPONSIBILITY FOR UNAUTHORIZED USE OF THIS DRAWING.



201 WEST FIRST STREET
P.O. BOX 496
SOUTH WHITLEY, IN 46787
PHONE: 260.723.5131
FAX: 260.723.6396
www.whitleyman.com

dba Modular Builders
2756 & 3089
E. Fort Wayne Rd.
P.O. BOX 505
Rochester, IN 46975
PHONE: 574.223.4934
FAX: 574.223.8779

WHITLEY EAST
64 HESS ROAD
LEOLA, PA 17540
PHONE: 717.656.2081

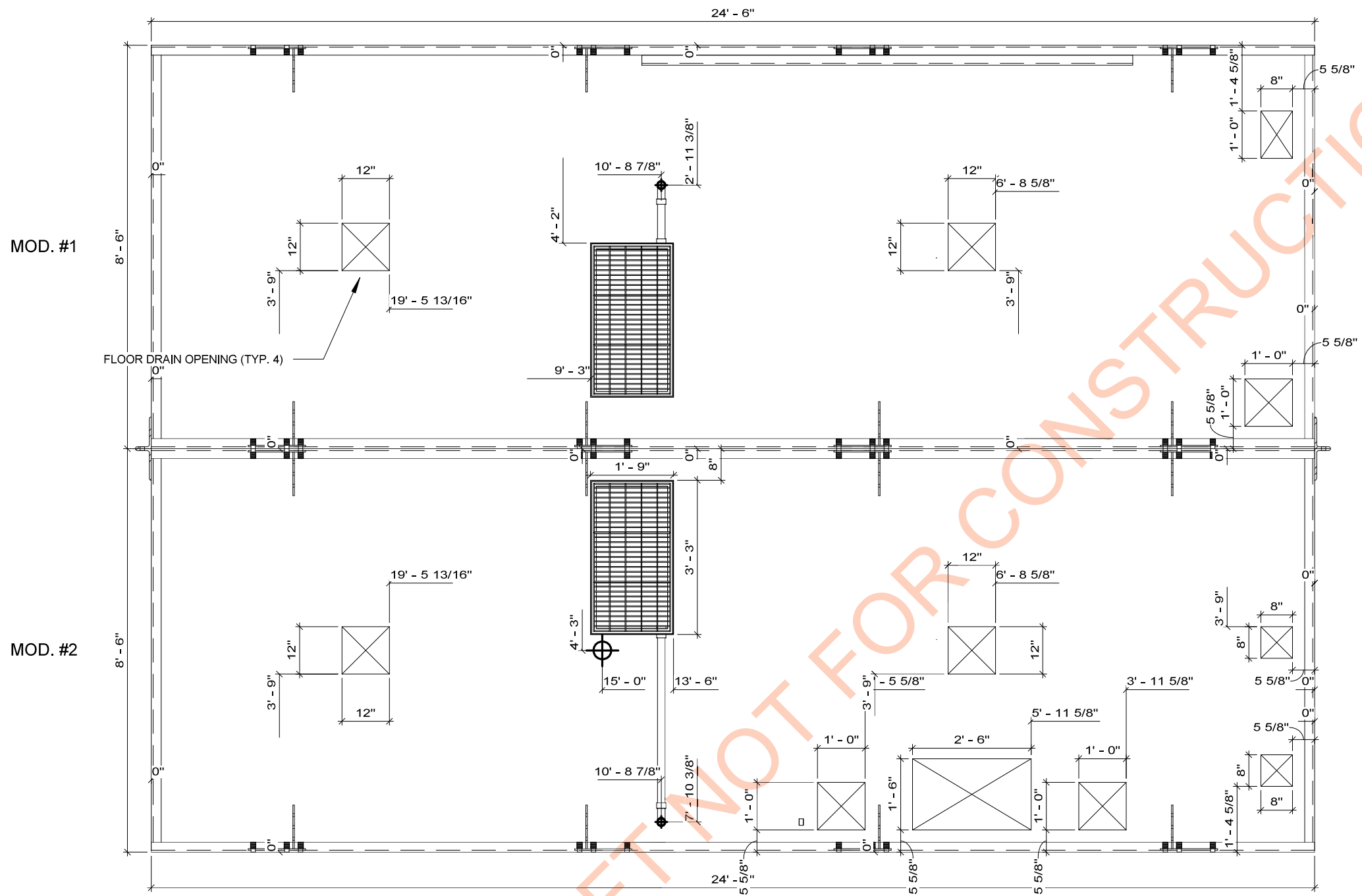
Drawn By:
RLH
Checked By:
LH
Rev:

STEEL FRAME PLAN

GREEN FLUSH TECHNOLOGIES
RAMSEY PARK SPLASH PAD - COALINGA, CA
26'x19' (2) 24'-6" x 8'-6" MODULES (SKID MOUNT)

Serial No. 41521-41522	Date: 2.13.26
Quote No. 50552-8 (REV2)	Scale: As indicated
Model No. 8088	Page No. S2.1
Job No. 2024-013-SW	

3/2/2026 8:51:12 AM

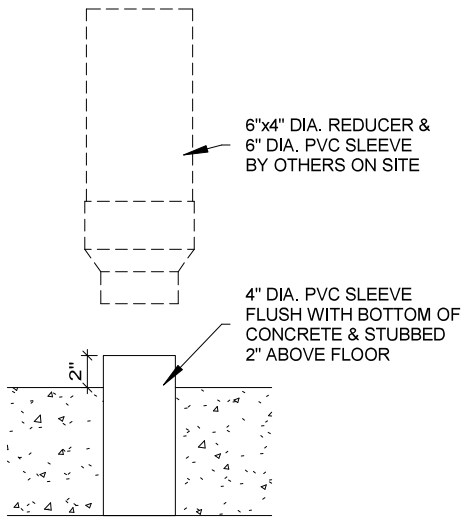


WHITLEY MANUFACTURING INC.
 201 WEST FIRST STREET
 SOUTH WHITLEY, INDIANA 46787-0496
 260-723-5131

APPROVED
 APPROVED AS NOTED
 RETURN FOR CORRECTION

BY: _____
 DATE: _____

UPON APPROVAL, THESE DRAWINGS WILL
 TAKE PRECEDENCE OVER ALL PREVIOUS
 DRAWINGS FOR THIS PROJECT



① Concrete Blocking Plan
 3/8" = 1'-0"

② 4" DIA. PVC Sleeve Detail
 1" = 1'-0"

No.	Description	Date

THIS DRAWING AND ALL INFORMATION CONTAINED HEREON IS THE PROPERTY OF WHITLEY MFG. CO., INC., AND IS NOT TO BE REPRODUCED WITHOUT THE EXPRESS PERMISSION OF WHITLEY MFG. CO., INC. WHITLEY MFG. CO., INC., ASSUMES NO RESPONSIBILITY FOR UNAUTHORIZED USE OF THIS DRAWING.



201 WEST FIRST STREET
 P.O. BOX 496
 SOUTH WHITLEY, IN 46787
 PHONE: 260.723.5131
 FAX: 260.723.6396
 www.whitleyman.com

dba Modular Builders
 2756 & 3089
 E. Fort Wayne Rd.
 P.O. BOX 505
 ROCHESTER, IN 46975
 PHONE: 574.223.4934
 FAX: 574.223.8779

WHITLEY EAST
 64 HESS ROAD
 LEOLA, PA 17540
 PHONE: 717.656.2081

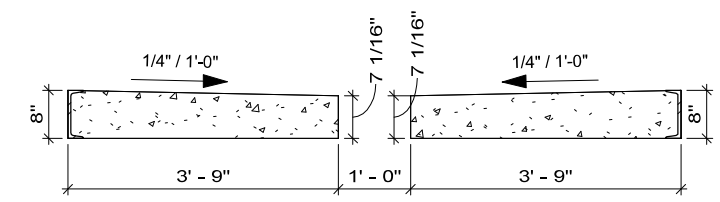
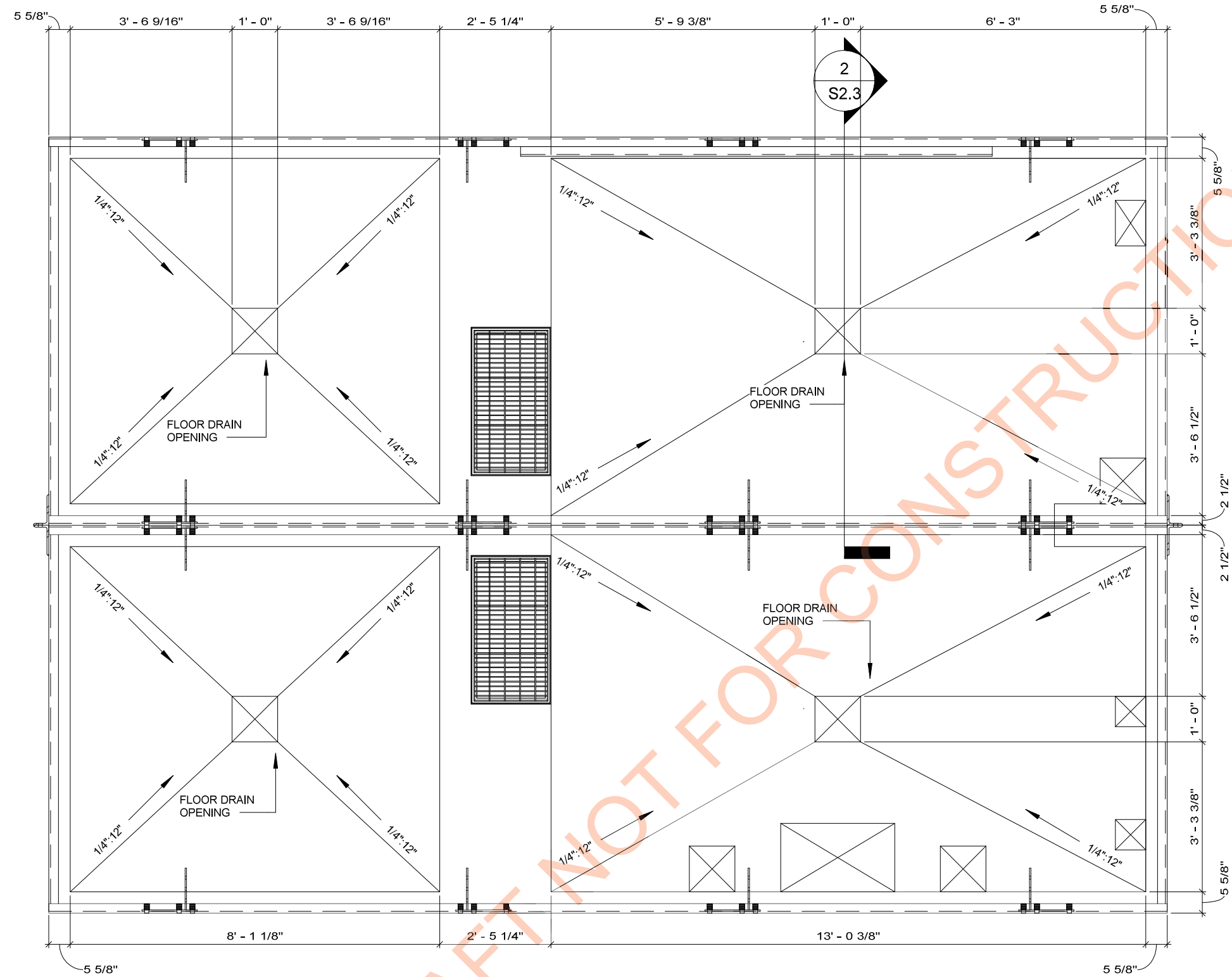
Drawn By:
 RLH
 Checked By:
 LH
 Rev:

CONCRETE BLOCKING PLAN
GREEN FLUSH TECHNOLOGIES
RAMSEY PARK SPLASH PAD - COALINGA, CA
 26'x19' (2) 24'-6" x 8'-6" MODULES (SKID MOUNT)

Serial No. 41521-41522	Date: 2.13.26
Quote No. 50552-8(REV2)	Scale: As indicated
Model No. 8088	Page No. S2.2
Job No. 2024-013-SW	

MOD. #1

MOD. #2



2 Floor Slope to Floor Drain
3/8" = 1'-0"

1 Concrete Sloping Plan
3/8" = 1'-0"

WHITLEY MANUFACTURING INC.
201 WEST FIRST STREET
SOUTH WHITLEY, INDIANA 46787-0496
260-723-5131

APPROVED
APPROVED AS NOTED
RETURN FOR CORRECTION

BY: _____
DATE: _____

UPON APPROVAL, THESE DRAWINGS WILL
TAKE PRECEDENCE OVER ALL PREVIOUS
DRAWINGS FOR THIS PROJECT

No.	Description	Date

THIS DRAWING AND ALL INFORMATION CONTAINED HEREIN IS THE PROPERTY OF WHITLEY MFG. CO., INC., AND IS NOT TO BE REPRODUCED WITHOUT THE EXPRESS PERMISSION OF WHITLEY MFG. CO., INC. ASSUMES NO RESPONSIBILITY FOR UNAUTHORIZED USE OF THIS DRAWING.



201 WEST FIRST STREET
P.O. BOX 496
SOUTH WHITLEY, IN 46787
PHONE: 260.723.5131
FAX: 260.723.6396
www.whitleyman.com

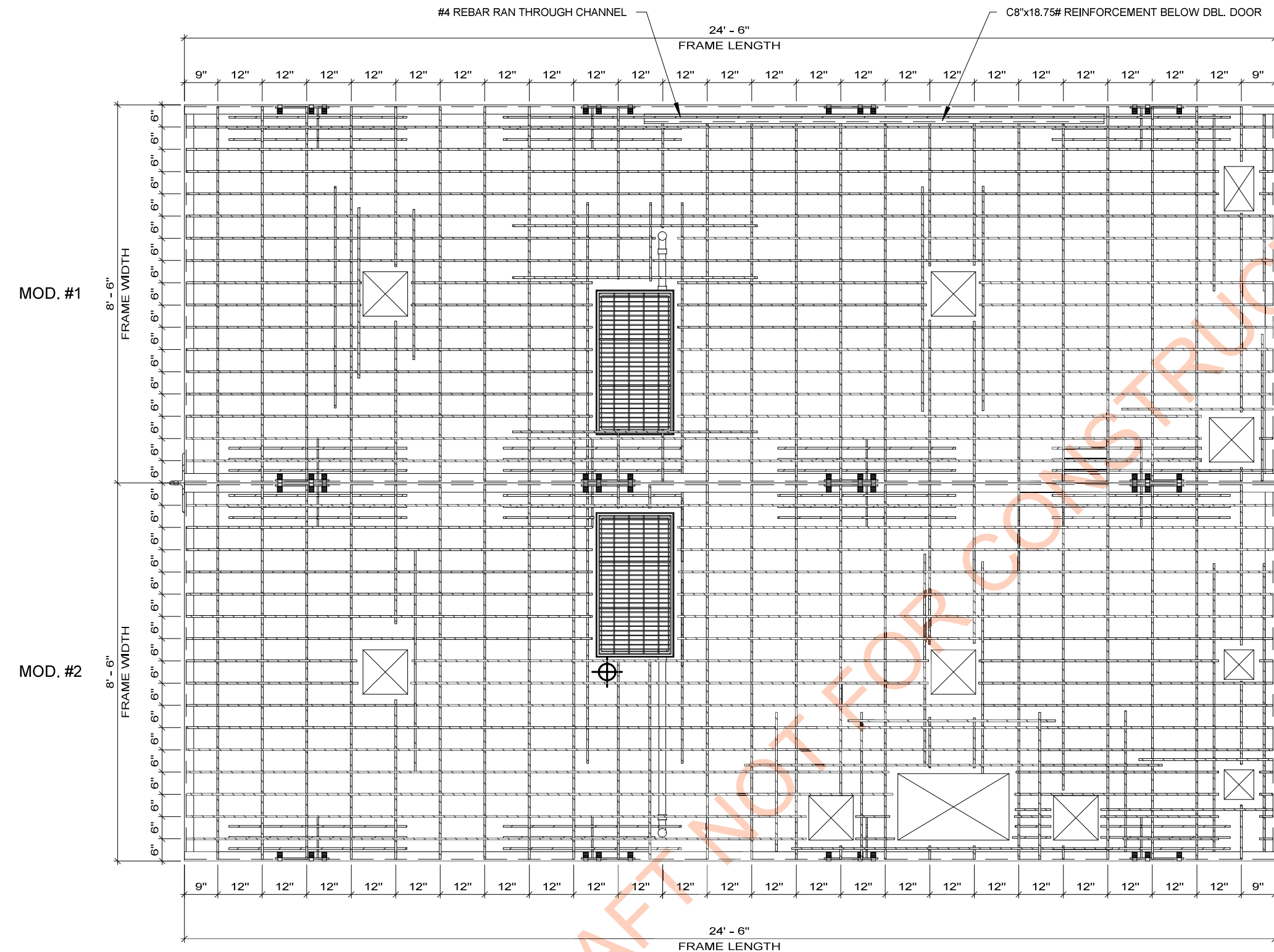
dba Modular Builders
2756 & 3089
E. Fort Wayne Rd.
P.O. BOX 505
Rochester, IN 46975
PHONE: 574.223.4934
FAX: 574.223.8779

WHITLEY EAST
64 HESS ROAD
LEOLA, PA 17540
PHONE: 717.656.2081

Drawn By:
RLH
Checked By:
LH
Rev:

CONCRETE SLOPING PLAN
GREEN FLUSH TECHNOLOGIES
RAMSEY PARK SPLASH PAD - COALINGA, CA
26'x19' (2) 24'-6" x 8'-6" MODULES (SKID MOUNT)

Serial No. 41521-41522	Date: 2.13.26
Quote No. 50552-8 (REV2)	Scale: As indicated
Model No. 8088	Page No. S2.3
Job No. 2024-013-SW	

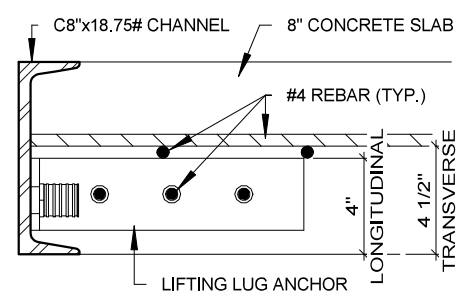


WHITLEY MANUFACTURING INC.
 201 WEST FIRST STREET
 SOUTH WHITLEY, INDIANA 46787-0496
 260-723-5131

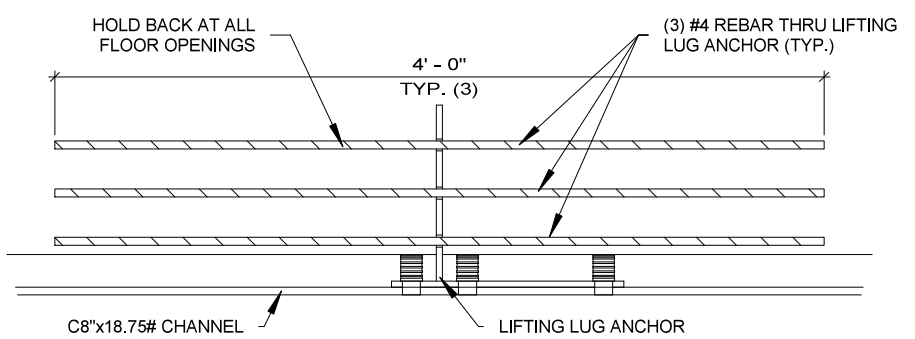
 APPROVED
 APPROVED AS NOTED
 RETURN FOR CORRECTION

BY: _____
 DATE: _____

UPON APPROVAL, THESE DRAWINGS WILL TAKE PRECEDENCE OVER ALL PREVIOUS DRAWINGS FOR THIS PROJECT



② Rebar Thru Lifting Lug Section
 1 1/2" = 1'-0"



③ Rebar Thru Lifting Lug Detail
 1" = 1'-0"

① Rebar Layout Plan
 3/8" = 1'-0"

DRAFT NOT FOR CONSTRUCTION

No.	Description	Date

THIS DRAWING AND ALL INFORMATION CONTAINED HEREON IS THE PROPERTY OF WHITLEY MFG. CO. INC., AND IS NOT TO BE REPRODUCED WITHOUT THE EXPRESS PERMISSION OF WHITLEY MFG. CO., INC. WHITLEY MFG. CO. INC., ASSUMES NO RESPONSIBILITY FOR UNAUTHORIZED USE OF THIS DRAWING.



201 WEST FIRST STREET
 P.O. BOX 496
 SOUTH WHITLEY, IN 46787
 PHONE: 260.723.5131
 FAX: 260.723.6396
 www.whitleyman.com

dba Modular Builders
 2756 & 3089
 E. Fort Wayne Rd.
 P.O. BOX 505
 Rochester, IN 46975
 PHONE: 574.223.4934
 FAX: 574.223.8779

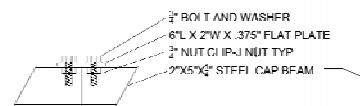
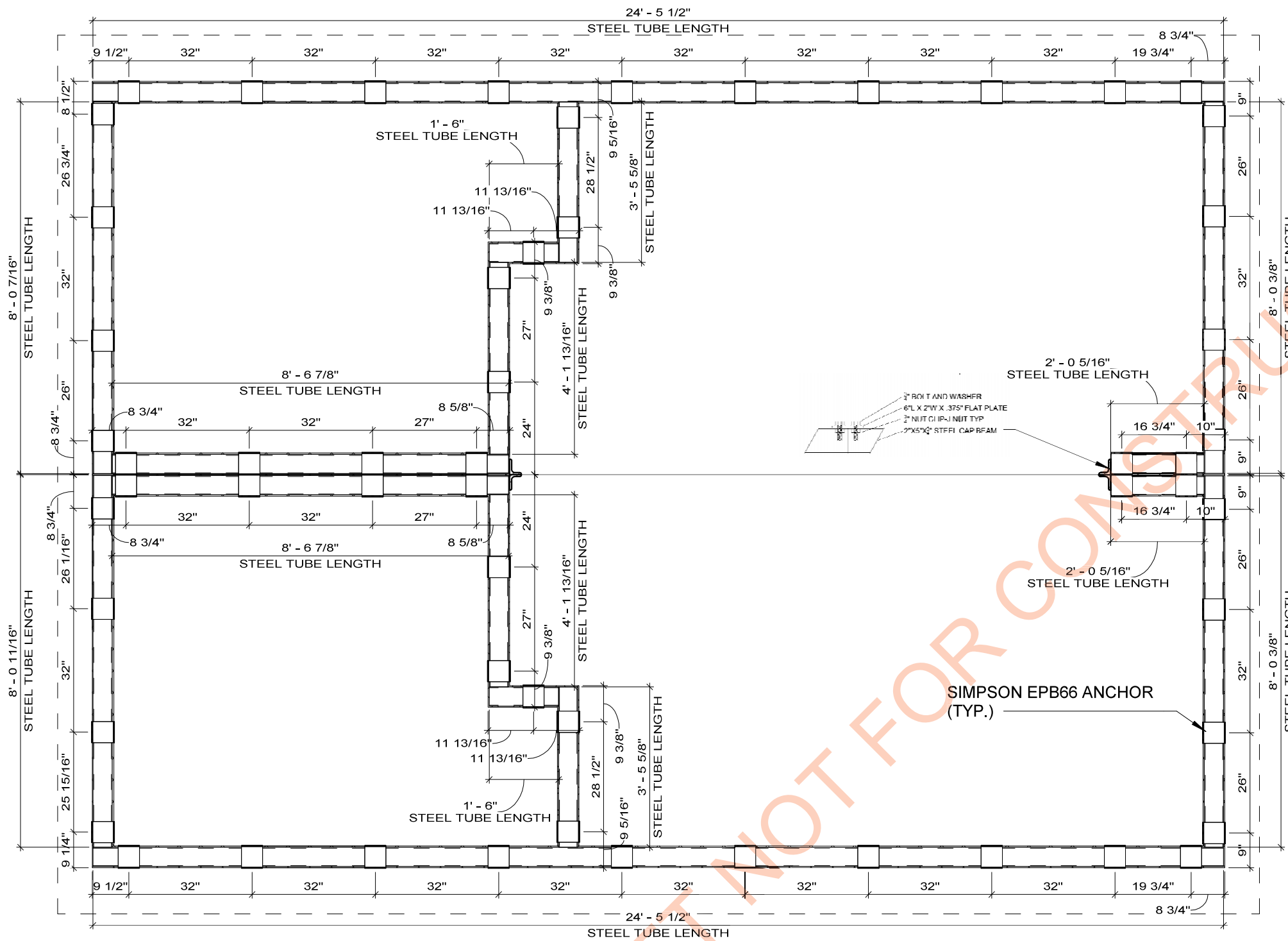
WHITLEY EAST
 64 HESS ROAD
 LEOLA, PA 17540
 PHONE: 717.656.2081

Drawn By:
 RLH
 Checked By:
 LH
 Rev:

REBAR PLAN
GREEN FLUSH TECHNOLOGIES
RAMSEY PARK SPLASH PAD - COALINGA, CA
26'x19' (2) 24'-6" x 8'-6" MODULES (SKID MOUNT)

Serial No. 41521-41522	Date: 2.13.26
Quote No. 50552-8 (REV2)	Scale: As indicated
Model No. 8088	Page No. S2.4
Job No. 2024-013-SW	

3/2/2026 8:51:12 AM



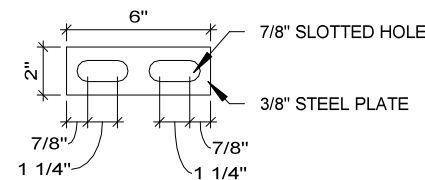
WHITLEY MANUFACTURING INC.
 201 WEST FIRST STREET
 SOUTH WHITLEY, INDIANA 46787-0496
 260-723-5131

 APPROVED
 APPROVED AS NOTED
 RETURN FOR CORRECTION

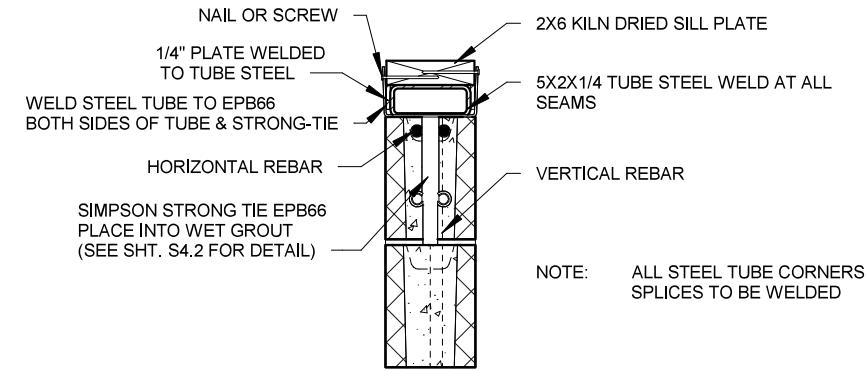
BY: _____
 DATE: _____

UPON APPROVAL, THESE DRAWINGS WILL TAKE PRECEDENCE OVER ALL PREVIOUS DRAWINGS FOR THIS PROJECT

1 Anchor Bolt Location
 3/8" = 1'-0"



2 Slotted Plate Detail
 1 1/2" = 1'-0"



3 Steel Tube to CMU Wall Detail
 1" = 1'-0"

No.	Description	Date

THIS DRAWING AND ALL INFORMATION CONTAINED HEREON IS THE PROPERTY OF WHITLEY MFG. CO. INC., AND IS NOT TO BE REPRODUCED WITHOUT THE EXPRESS PERMISSION OF WHITLEY MFG. CO., INC. WHITLEY MFG. CO. INC., ASSUMES NO RESPONSIBILITY FOR UNAUTHORIZED USE OF THIS DRAWING.



201 WEST FIRST STREET
 P.O. BOX 496
 SOUTH WHITLEY, IN 46787
 PHONE: 260.723.5131
 FAX: 260.723.6396
 www.whitleyman.com

dba Modular Builders
 2756 & 3089
 E. Fort Wayne Rd.
 P.O. BOX 505
 Rochester, IN 46975
 PHONE: 574.223.4934
 FAX: 574.223.8779

WHITLEY EAST
 64 HESS ROAD
 LEOLA, PA 17540
 PHONE: 717.656.2081

Drawn By:
 RLH
 Checked By:
 LH
 Rev:

STEEL CMU WALL CAP PLAN
GREEN FLUSH TECHNOLOGIES
RAMSEY PARK SPLASH PAD - COALINGA, CA
 26'x19' (2) 24'-6" x 8'-6" MODULES (SKID MOUNT)

Serial No. 41521-41522	Date: 2.13.26
Quote No. 50552-8 (REV2)	Scale: As indicated
Model No. 8088	Page No. S4.1
Job No. 2024-013-SW	

EPB

Elevated Post Base

Material: EPB44A — 14 gauge; others — 12 gauge base plate, 1 1/8" OD x 8" pipe

Finish: EPB44A — Galvanized; all others — Simpson Strong-Tie gray paint (may be ordered HDG)

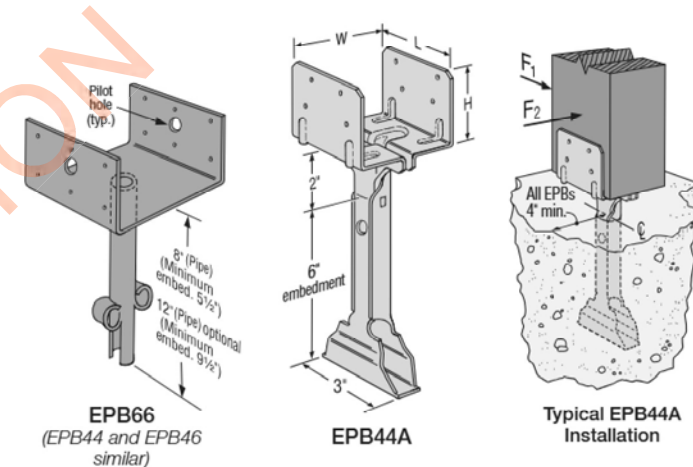
Installation:

- Use all specified fasteners; see General Notes
- Allows 1" to 2 1/2" clearance above concrete, 2" for EPB44A
- Post bases do not provide adequate resistance to prevent members from rotating about the base and therefore are not recommended for non-top-supported installations (such as fences or unbraced carports)

Options:

- 12" pipe available for EPB44, 46, 66; specify "-12" after model number

Codes: See p. 13 for Code Reference Key Chart

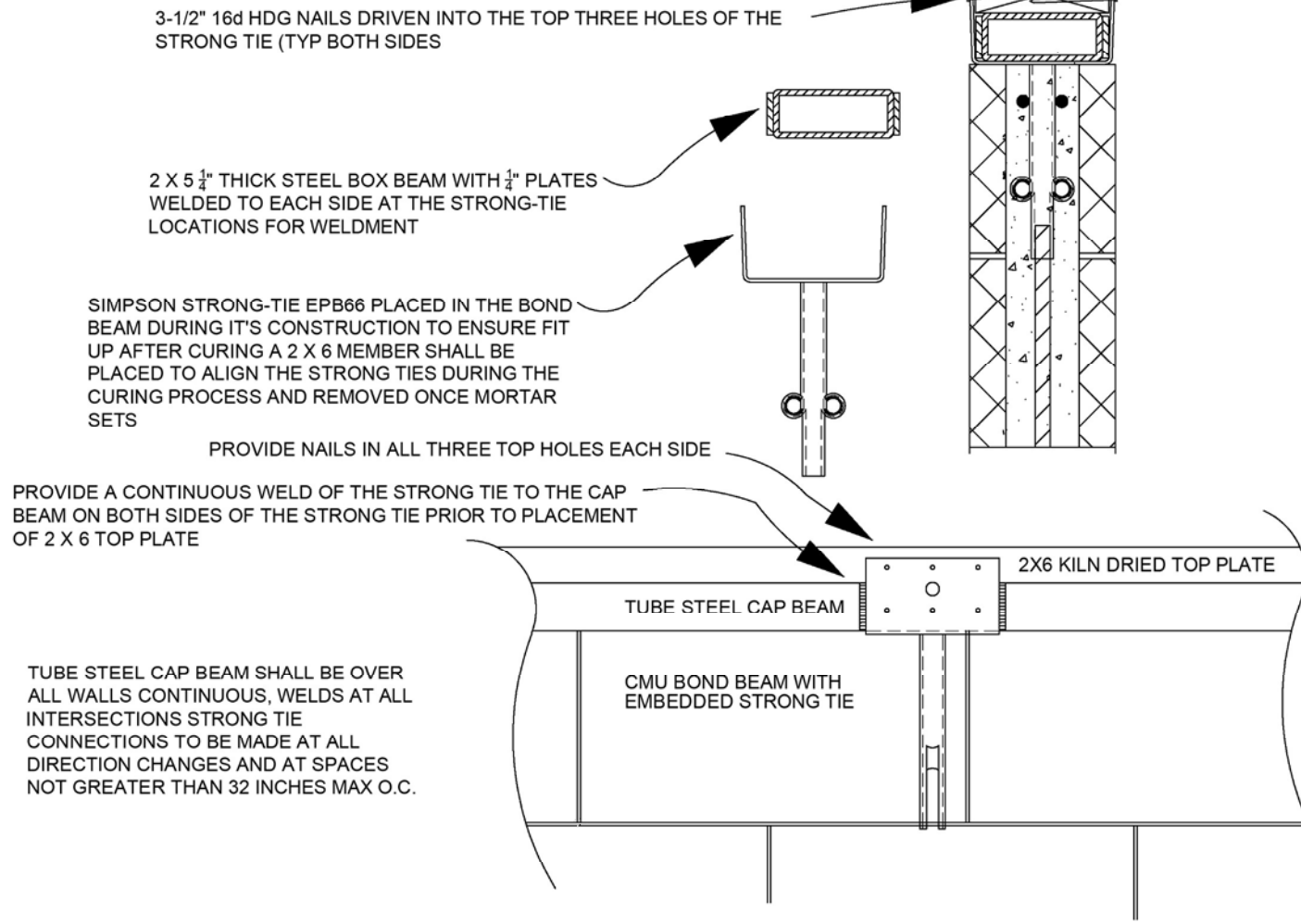


These products are available with additional corrosion protection. For more information, see p. 16.

SD Many of these products are approved for installation with Strong-Drive® SD Connector screws. See pp. 362-366 for more information.

Model No.	Dimensions (in.)			Nails	Allowable Loads					Code Ref.
	W	L	H		Uncracked	Cracked	Download	F ₁	F ₂	
					Uplift (160)	Uplift (160)	(100)	(160)	(160)	
Wind and Seismic Design Category A&B										
EPB44A	3 3/8	3	2 3/8	(8) 0.162 x 3 1/2	1,075	755	2,670	695	795	IBC®, FL, LA
EPB44	3 3/8	3 1/4	2 3/8	(8) 0.162 x 3 1/2	995	695	3,465	850	965	
EPB46	5 1/2	3 3/8	3	(12) 0.162 x 3 1/2	995	695	3,465	850	965	
EPB66	5 1/2	5 1/2	3	(12) 0.162 x 3 1/2	995	695	3,465	850	965	
Seismic Design Category C-F										
EPB44A	3 3/8	3	2 3/8	(8) 0.162 x 3 1/2	940	660	2,670	695	795	IBC, FL, LA
EPB44	3 3/8	3 1/4	2 3/8	(8) 0.162 x 3 1/2	870	605	3,465	850	965	
EPB46	5 1/2	3 3/8	3	(12) 0.162 x 3 1/2	870	605	3,465	850	965	
EPB66	5 1/2	5 1/2	3	(12) 0.162 x 3 1/2	870	605	3,465	850	965	

1. Loads may not be increased for duration of load.
2. Concrete shall have a minimum compressive strength of f_c = 2,500 psi.
3. Multiply seismic and wind ASD uplift and lateral load values by 1.43 or 1.67, respectively, to obtain LRFD capacities.
4. In accordance with IBC, Section 1613.1, detached one- and two-family dwellings in Seismic Design Category (SDC) C may use "Wind and SDC A&B" allowable loads.
5. Downloads shall be reduced where limited by capacity of the post.
6. Designer is responsible for concrete design.
7. For full loads, the distance to the nearest concrete edge is 4" minimum from the EPB center line.
8. Structural composite lumber columns have sides that show either the wide face or the edges of the lumber strands/veneers known as the narrow face. Values in the tables reflect installation into the wide face. See technical bulletin T-C-SCLCLM at strongtie.com for load reductions resulting from narrow-face installations.
9. **Fasteners:** Nail dimensions are listed diameter by length. See pp. 23-24 for fastener information.



MODIFIED CAP BEAM DETAIL TYPICAL ALL CMU WALLS

WHITLEY MANUFACTURING INC.
201 WEST FIRST STREET
SOUTH WHITLEY, INDIANA 46787-0496
260-723-5131

APPROVED
 APPROVED AS NOTED
 RETURN FOR CORRECTION

BY: _____
DATE: _____

UPON APPROVAL, THESE DRAWINGS WILL TAKE PRECEDENCE OVER ALL PREVIOUS DRAWINGS FOR THIS PROJECT

DRAFT NOT FOR CONSTRUCTION

No.	Description	Date

THIS DRAWING AND ALL INFORMATION CONTAINED HEREON IS THE PROPERTY OF WHITLEY MFG. CO., INC., AND IS NOT TO BE REPRODUCED WITHOUT THE EXPRESS PERMISSION OF WHITLEY MFG. CO., INC. WHITLEY MFG. CO., INC., ASSUMES NO RESPONSIBILITY FOR UNAUTHORIZED USE OF THIS DRAWING.

WHITLEY MANUFACTURING

201 WEST FIRST STREET
P.O. BOX 496
SOUTH WHITLEY, IN 46787
PHONE: 260.723.5131
FAX: 260.723.6396
www.whitleyman.com

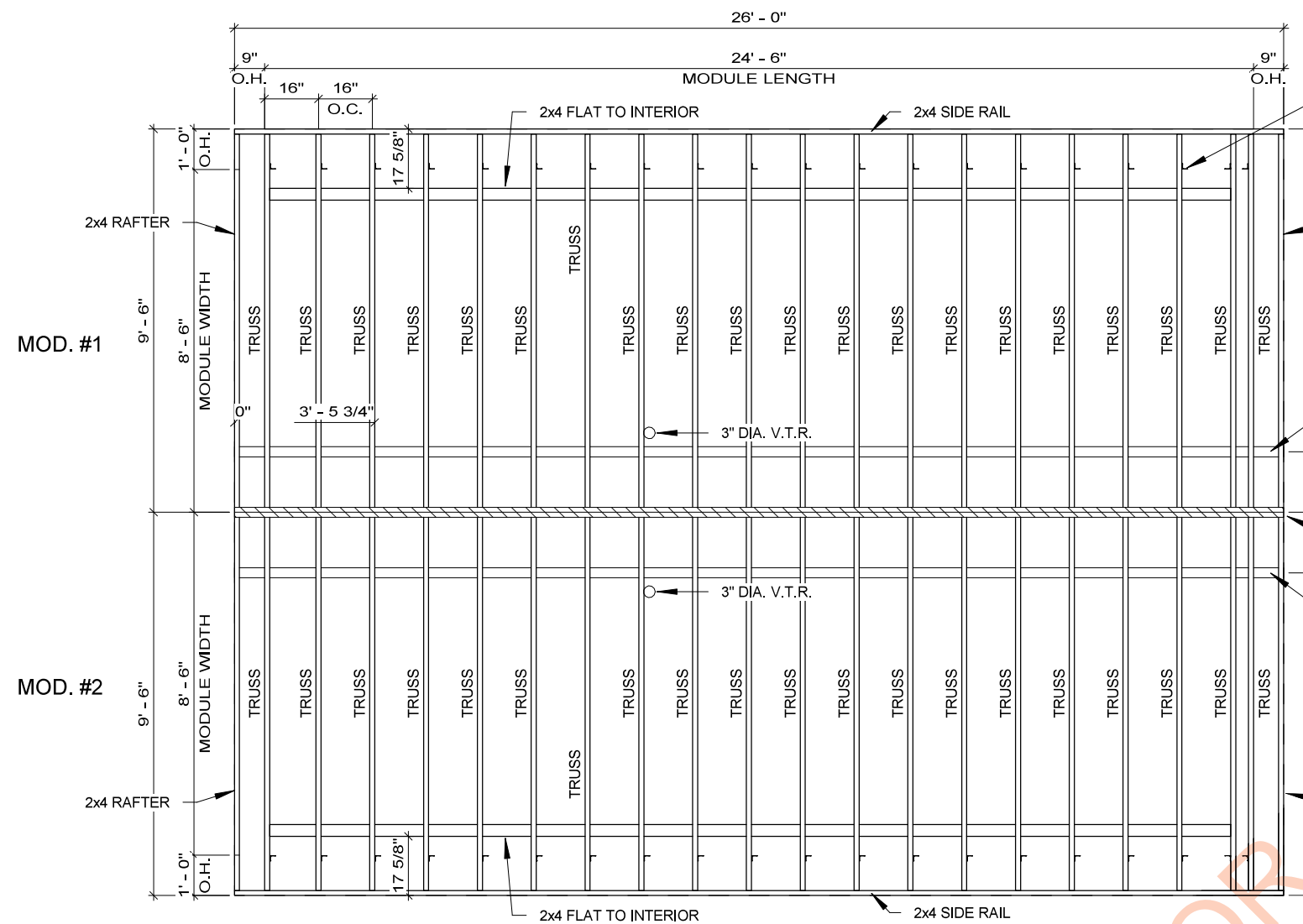
dba Modular Builders
2756 & 3089
E. Fort Wayne Rd.
P.O. BOX 505
Rochester, IN 46975
PHONE: 574.223.4934
FAX: 574.223.8779

WHITLEY EAST
64 HESS ROAD
LEOLA, PA 17540
PHONE: 717.656.2081

Drawn By: **RLH**
Checked By: **LH**
Rev:

STEEL CMU WALL CAP DETAILS
GREEN FLUSH TECHNOLOGIES
RAMSEY PARK SPLASH PAD - COALINGA, CA
26'x19' (2) 24'-6" x 8'-6" MODULES (SKID MOUNT)

Serial No. 41521-41522	Date: 2.13.26
Quote No. 50552-8 (REV2)	Scale: 3/16" = 1'-0"
Model No. 8088	Page No.
Job No. 2024-013-SW	S4.2



(1) H2.5A STRAP (OR EQUAL) AT EACH TRUSS-TO-TOP PLATE CONNECTION

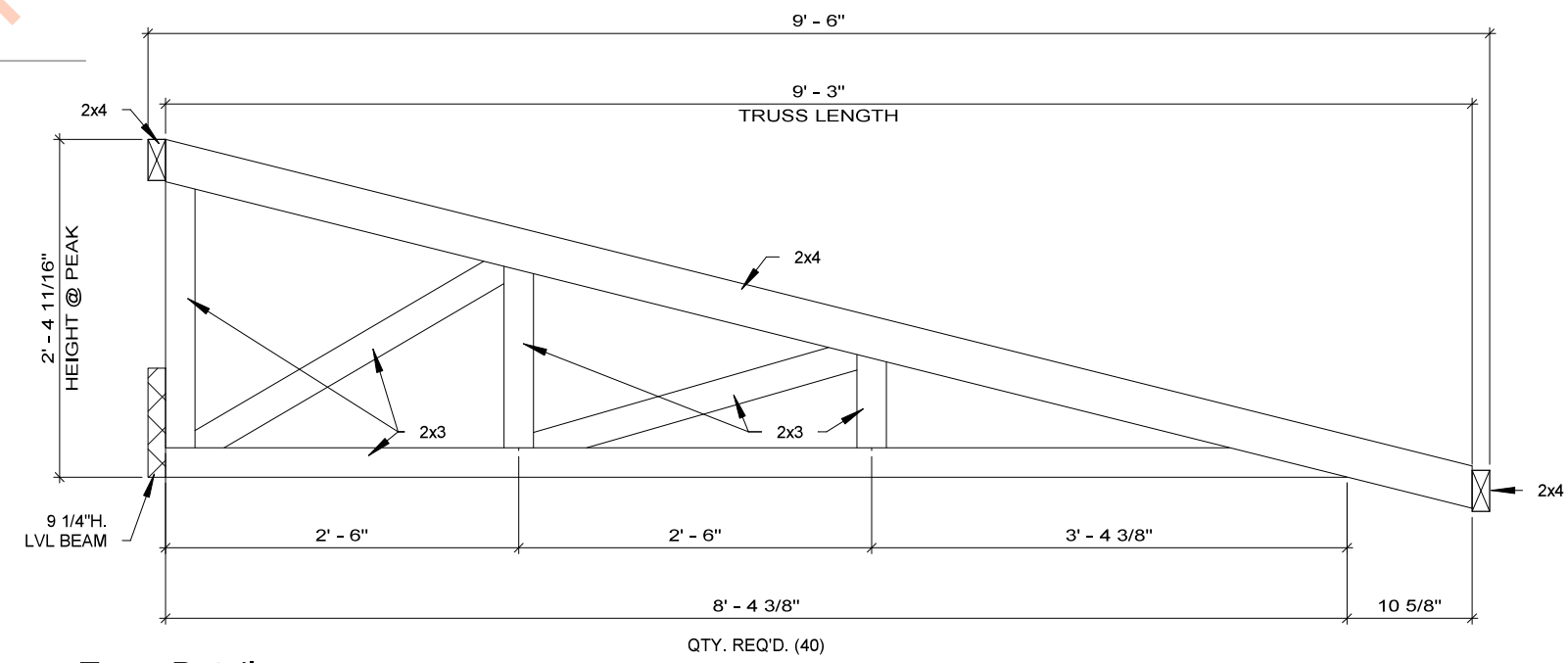
WHITLEY MANUFACTURING INC.
 201 WEST FIRST STREET
 SOUTH WHITLEY, INDIANA 46787-0496
 260-723-5131

APPROVED
 APPROVED AS NOTED
 RETURN FOR CORRECTION

BY: _____
 DATE: _____

UPON APPROVAL, THESE DRAWINGS WILL TAKE PRECEDENCE OVER ALL PREVIOUS DRAWINGS FOR THIS PROJECT

1 Roof Framing Plan
 1/4" = 1'-0"



3 Truss Detail
 3/4" = 1'-0"

No.	Description	Date

THIS DRAWING AND ALL INFORMATION CONTAINED HEREON IS THE PROPERTY OF WHITLEY MFG. CO. INC., AND IS NOT TO BE REPRODUCED WITHOUT THE EXPRESS PERMISSION OF WHITLEY MFG. CO., INC. WHITLEY MFG. CO. INC., ASSUMES NO RESPONSIBILITY FOR UNAUTHORIZED USE OF THIS DRAWING.



201 WEST FIRST STREET
 P.O. BOX 496
 SOUTH WHITLEY, IN 46787
 PHONE: 260.723.5131
 FAX: 260.723.6396
 www.whitleyman.com

dba Modular Builders
 2756 & 3089
 E. Fort Wayne Rd.
 P.O. BOX 505
 Rochester, IN 46975
 PHONE: 574.223.4934
 FAX: 574.223.8779

WHITLEY EAST
 64 HESS ROAD
 LEOLA, PA 17540
 PHONE: 717.656.2081

Drawn By:
 RLH
 Checked By:
 LH
 Rev:

ROOF FRAMING PLAN

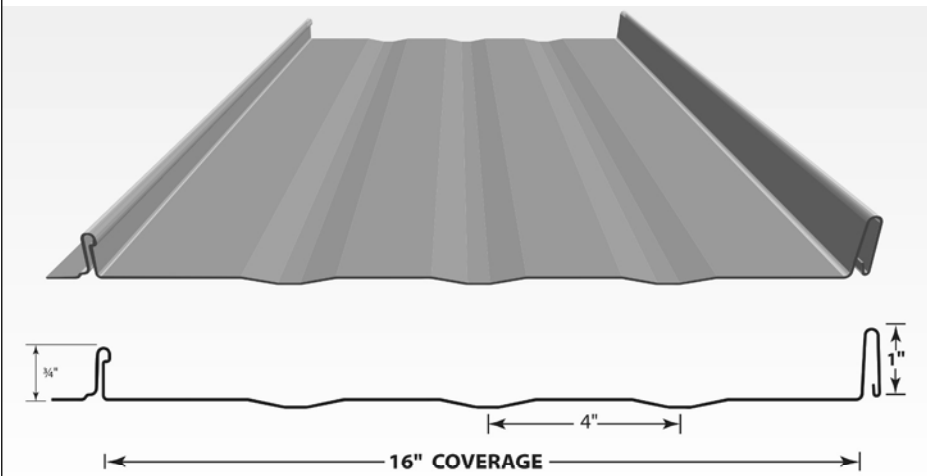
GREEN FLUSH TECHNOLOGIES

RAMSEY PARK SPLASH PAD - COALINGA, CA

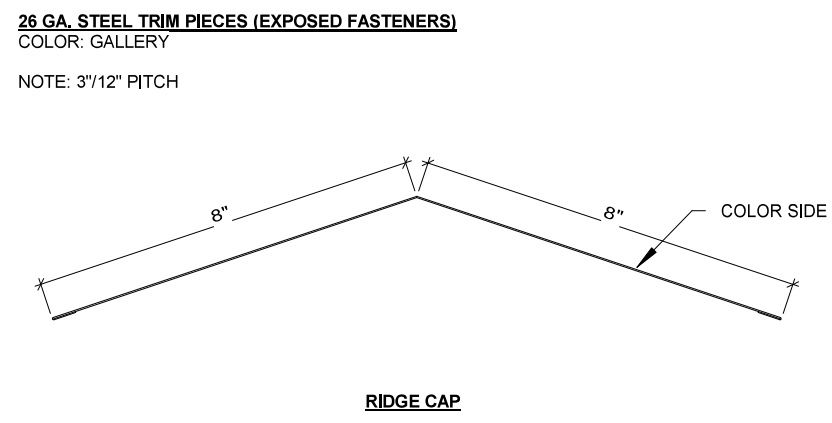
26'x19' (2) 24'-6" x 8'-6" MODULES (SKID MOUNT)

Serial No. 41521-41522	Date: 2.13.26
Quote No. 50552-8 (REV2)	Scale: As indicated
Model No. 8088	Page No. S5.1
Job No. 2024-013-SW	

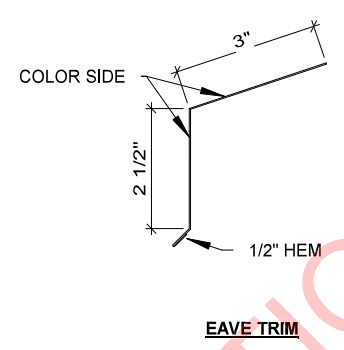
3/2/2026 8:51:13 AM



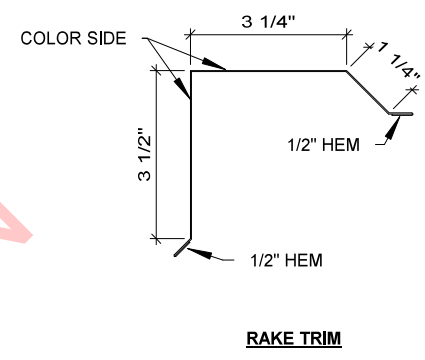
26 GA. STEEL STANDING SEAM PANEL



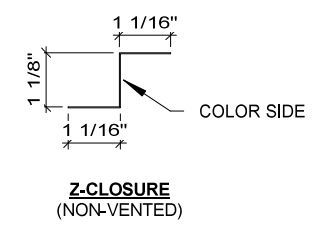
① Steel Roof Trim Pieces
 3" = 1'-0"



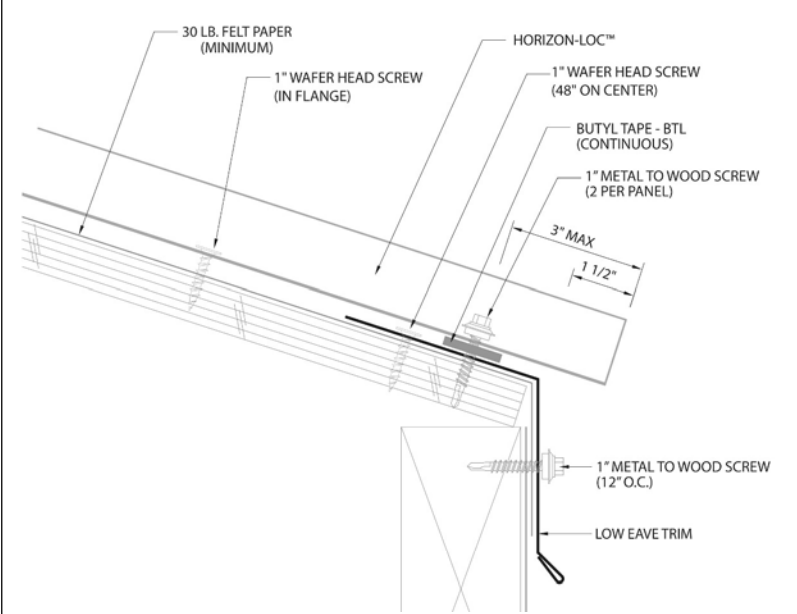
EAVE TRIM



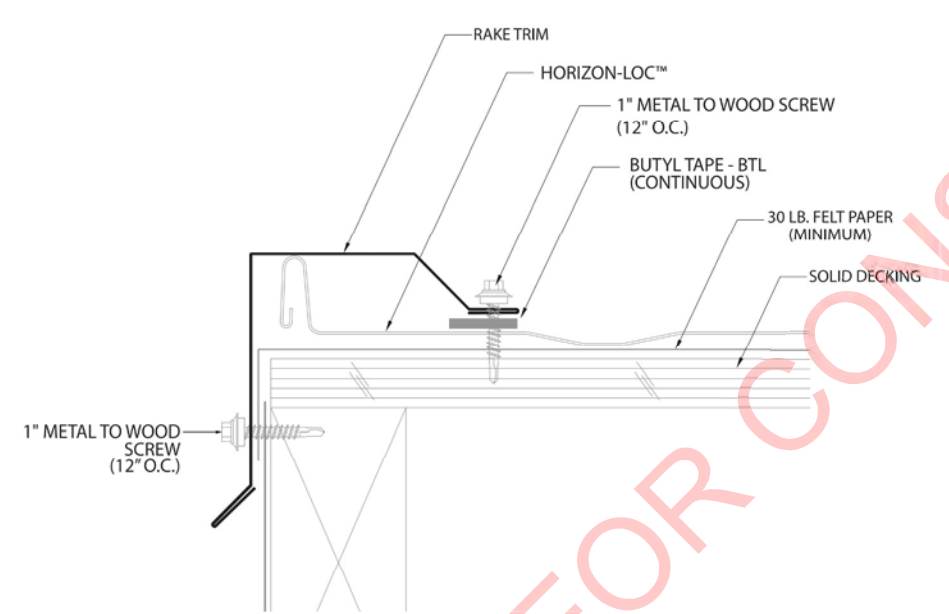
RAKE TRIM



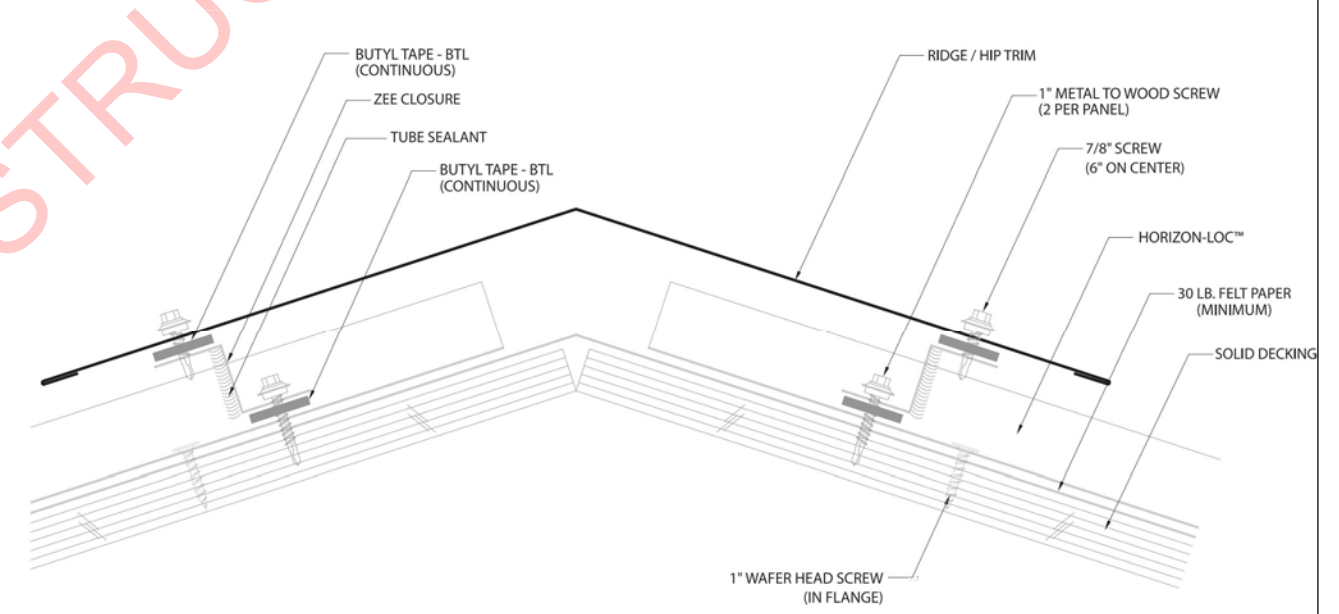
Z-CLOSURE (NON-VENTED)



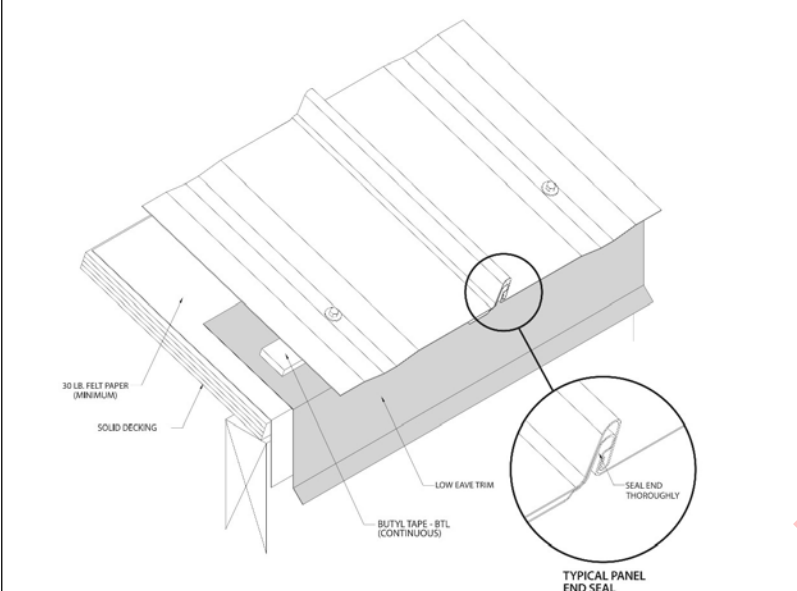
26 GA. STEEL EAVE TRIM DETAIL



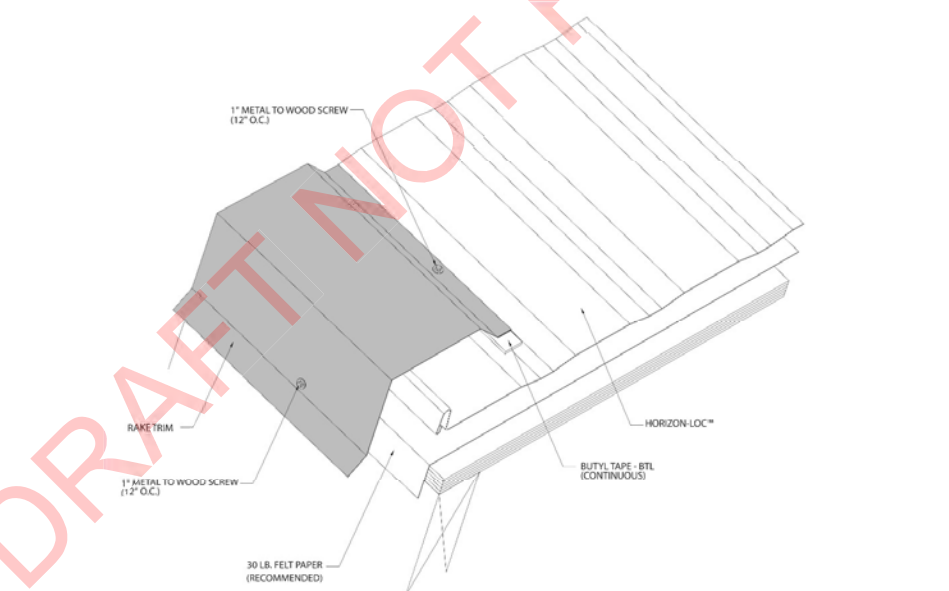
26 GA. STEEL RAKE TRIM DETAIL



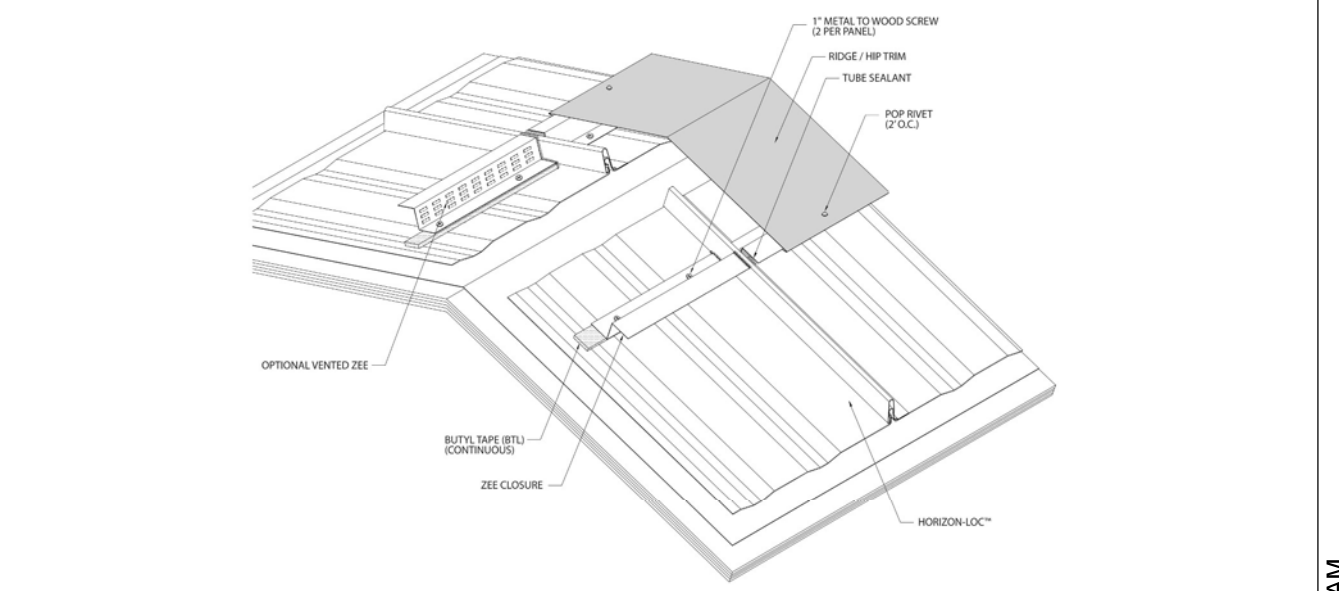
26 GA. STEEL RIDGE CAP DETAIL



TYPICAL PANEL END SEAL



DRAFT NOT FOR CONSTRUCTION



No.	Description	Date

THIS DRAWING AND ALL INFORMATION CONTAINED HEREON IS THE PROPERTY OF WHITLEY MFG. CO., INC., AND IS NOT TO BE REPRODUCED WITHOUT THE EXPRESS PERMISSION OF WHITLEY MFG. CO., INC. WHITLEY MFG. CO., INC., ASSUMES NO RESPONSIBILITY FOR UNAUTHORIZED USE OF THIS DRAWING.

201 WEST FIRST STREET
 P.O. BOX 496
 SOUTH WHITLEY, IN 46787
 PHONE: 260.723.5131
 FAX: 260.723.6396
 www.whitleyman.com

dba Modular Builders
 2756 & 3089
 E. Fort Wayne Rd.
 P.O. BOX 505
 Rochester, IN 46975
 PHONE: 574.223.4934
 FAX: 574.223.8779

WHITLEY EAST
 64 HESS ROAD
 LEOLA, PA 17540
 PHONE: 717.656.2081

Drawn By: RLH
 Checked By: LH
 Rev:

STEEL ROOF DETAILS
GREEN FLUSH TECHNOLOGIES
 RAMSEY PARK SPLASH PAD - COALINGA, CA
 26'x19' (2) 24'-6" x 8'-6" MODULES (SKID MOUNT)

Serial No. 41521-41522	Date: 2.13.26
Quote No. 50552-8 (REV2)	Scale: 3" = 1'-0"
Model No. 8088	Page No. S5.2
Job No. 2024-013-SW	